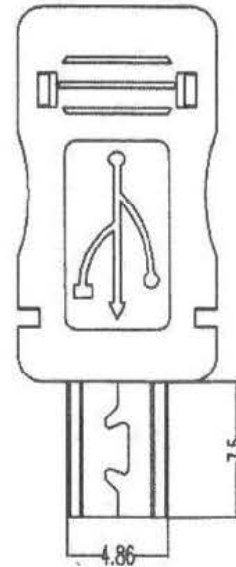
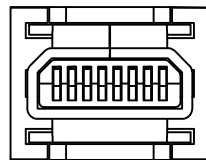
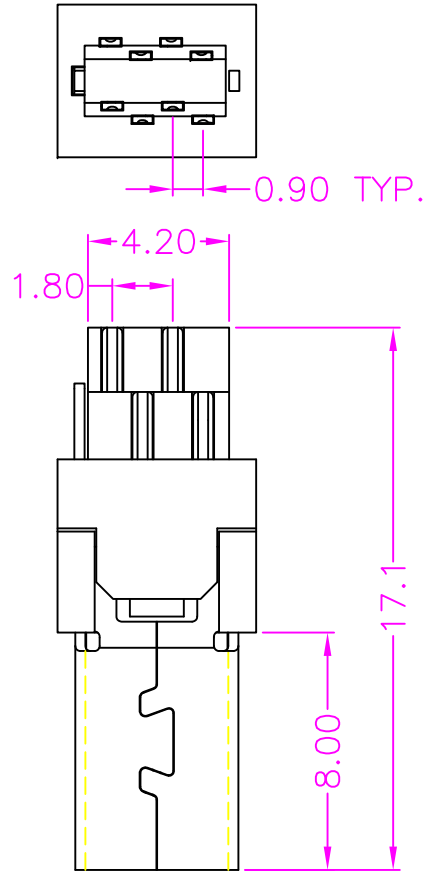
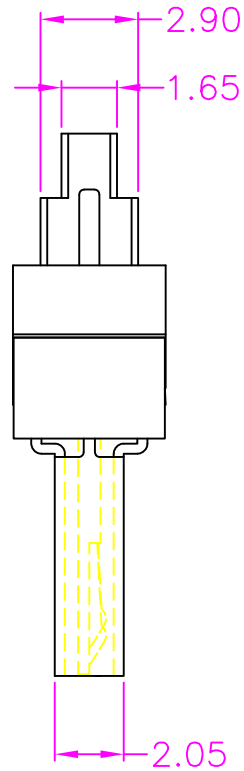


MATERIALS

HOUSING: THERMOPLASTIC (UL 94V-0), BLACK
 INNER SHELL: COPPER ALLOY, NICKEL PLATING
 OUTER SHELL: THERMOPLASTIC (UL 94V-0), BLACK
 TERMINAL: COPPER ALLOY, GOLD PLATING ON CONTACT AREA
 TIN PLATING ON SOLDER TAIL

SPECIFICATION

CURRENT RATING: 1 AMP MAX
 DIELECTRIC WITHSTANDING: 100V AC FOR ONE MINUTE
 CONTACT RESISTANCE: 50m OHMS MAX
 INSULATION RESISTANCE: 100M OHMS MIN AT DC 100V
 OPERATION TEMPERATURE: -25°C~+85°C



PART NUMBER:

BUSNQ - 0 8 * - 2 4 1

SERIES

NO. OF POS.

BAG PACKAGE

CONTACT PLATED OPTION

- 1: GOLD FLASH
- 3: 3u" GOLD
- 5: 5u" GOLD
- 7: 15u" GOLD
- 9: 30u" GOLD