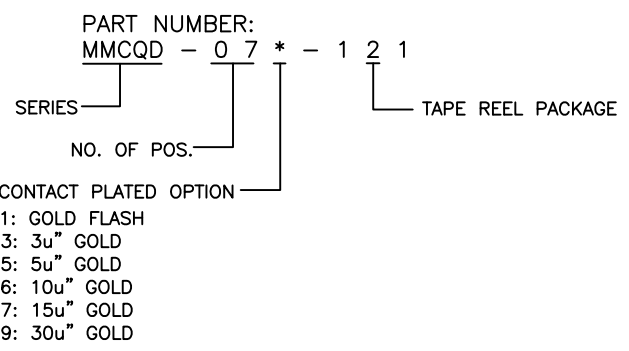


**MATERIALS**

HOUSING: HI-TEMP. PLASTIC (UL 94V-0)  
SHELL: STAINLESS STEEL, NICKEL PLATING  
SOLDER PAD: STAINLESS STEEL, GOLD PLATING  
TERMINAL: COPPER ALLOY, GOLD PLATED

**SPECIFICATION**

CURRENT RATING: 0.5 AMP MAX  
DIELECTRIC WITHSTANDING: 500V AC FOR ONE MINUTE  
CONTACT RESISTANCE: 100m OHMS MAX  
INSULATION RESISTANCE: 1000M OHMS MIN AT DC 500V  
OPERATION TEMPERATURE: -20°C~+85°C



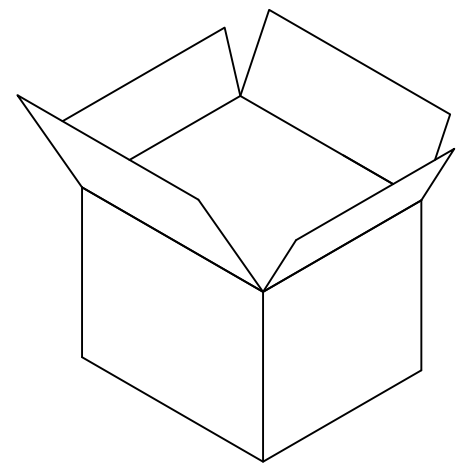
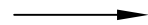
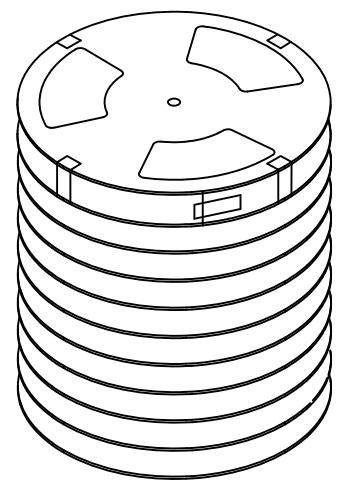
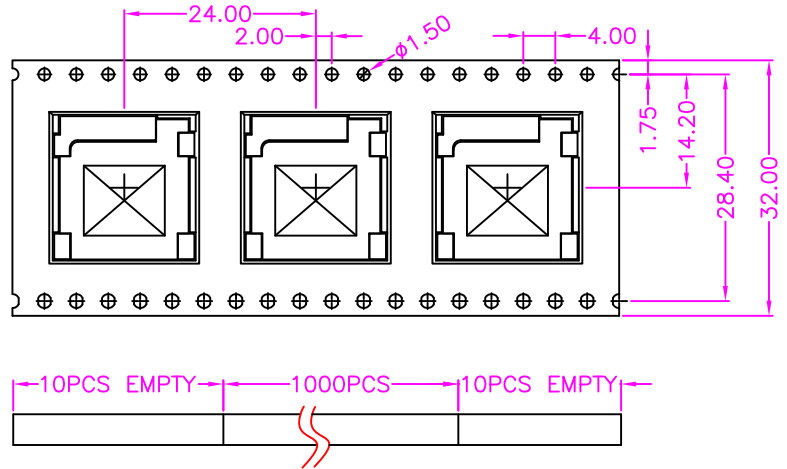
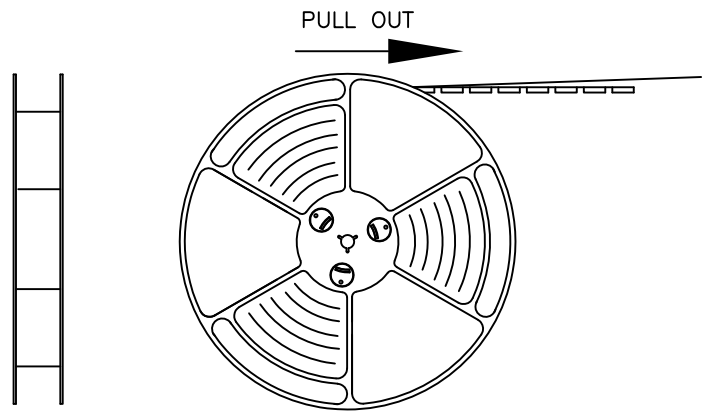
P.C.B. LAYOUT TOP VIEW ±0.05

Micro SIM CARD	
Pin No.	NAME
C1	VCC
C2	RST
C3	CLK
C4	Reserved
C5	GND
C6	VPP
C7	I/O
C8	Reserved



TOLERANCES	
X.±0.40	.XX±0.20
.X±0.30	.XXX±0.10

REV.	A	DRAWN BY	Zhong 2017/11/20	TITLE	MICRO SIM CARD, 7PIN, PCB MOUNT, SMT, METAL SHIELD, PUSH PUSH TYPE, FEMALE, H=1.50mm
©	◁	APPROVED BY	Lion 2017/11/20	DRAW NO.	MMCQD-001
				UNIT	MM
				Sheet	1/2



NOTE: 1000PCS/REEL, 10000PCS/10 REEL/CARTON



TOLERANCES	
X.±0.40	.XX±0.20
.X±0.30	.XXX±0.10

REV.	A	DRAWN BY	Zhong 2017/11/20
		APPROVED BY	Lion 2017/11/20

TITLE	MICRO SIM CARD, 7PIN, PCB MOUNT, SMT, METAL SHIELD, PUSH PUSH TYPE, FEMALE, H=1.50mm				
DRAW NO.	MMCQD-001	UNIT	MM	Sheet	2/2