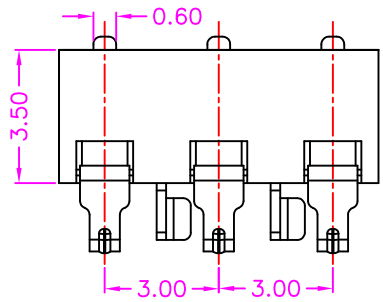
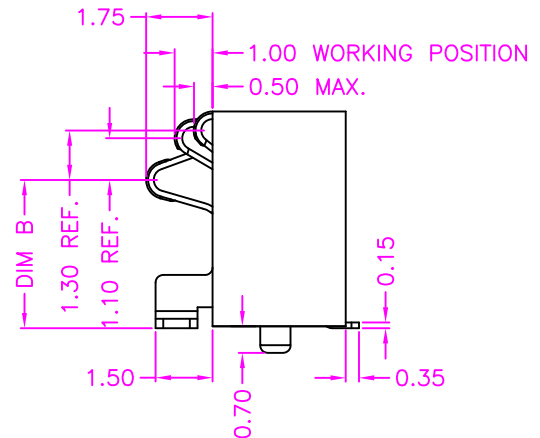
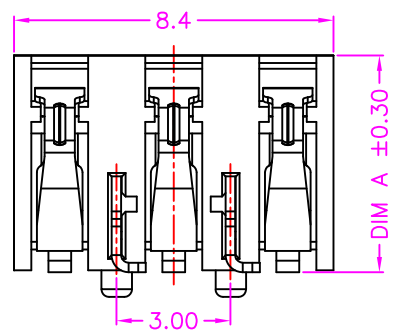


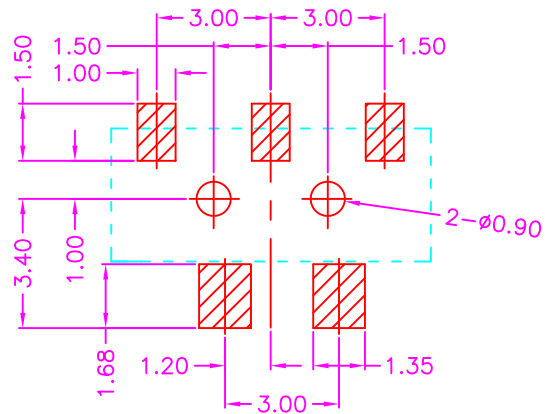
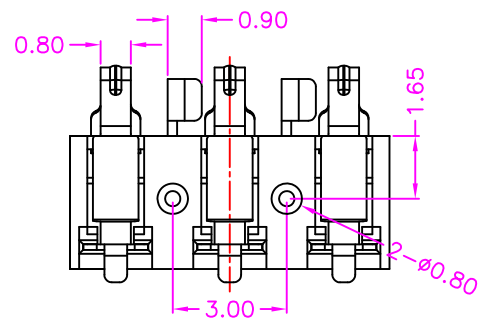
A



B



C



P.C.B. LAYOUT  
TOP VIEW ±0.05

**MATERIALS**

HOUSING: HI-TEMP. PLASTIC (UL 94V-0), BLACK  
 SOLDER PAD: STAINLESS STEEL, TIN PLATING  
 TERMINAL: COPPER ALLOY, GOLD PLATED ON CONTACT AREA  
 TIN PLATING ON SOLDER TAIL

**SPECIFICATION**

CURRENT RATING: 3 AMP MAX  
 DIELECTRIC WITHSTANDING: 350V AC FOR ONE MINUTE  
 INSULATION RESISTANCE: 1000M OHMS MIN AT DC 250V  
 OPERATION TEMPERATURE: -40°C~+85°C

**PART NUMBER:**

ABTDY - 0 3 \* - 1 2 2 \* \*

SERIES

NO. OF POS.

POST OPTION  
 BLANK: WITHOUT POST  
 P: WITH POST

CONTACT PLATED OPTION

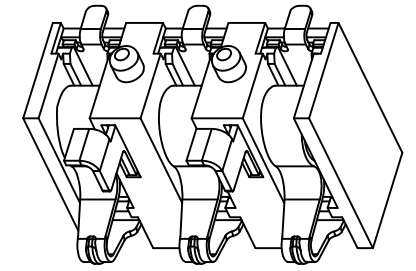
- 1: GOLD FLASH
- 3: 3u" GOLD
- 5: 5u" GOLD
- 6: 10u" GOLD
- 7: 15u" GOLD
- 9: 30u" GOLD

DIM. A & B OPTION  
 REF. TABLE

TAPE REEL PACKAGE

**TABLE**

P/N	DIM A	DIM B
A	5.40	3.70
B	5.70	4.00
C	6.00	4.30
D	6.20	4.50
E	6.50	4.80



D

**ZICONN**  
 ELECTRONIC CO., LTD.  
 WWW.ZICONN.COM 886-3-4687695

**TOLERANCES**

X.±0.40	.XX±0.20
.X±0.30	.XXX±0.10

REV. A

DRAWN BY Zhong 2018/2/27

APPROVED BY Lion 2018/2/27

TITLE

DRAW NO.

BATTERY, 3.00mm PITCH, PCB MOUNT, R/A SMT, FEMALE, WITH PAD & POST

ABTDY-002

UNIT

MM

Sheet

1/1