

MATERIALS
 HOUSING: HI-TEMP. PLASTIC (UL 94V-0), BLACK
 SHELL: STAINLESS STEEL, NICKEL PLATING
 SOLDER PAD: STAINLESS STEEL, GOLD FLASH
 DETECT SWITCH: COPPER ALLOY, GOLD PLATED
 EJECT BAR: STAINLESS STEEL
 TERMINAL: COPPER ALLOY, GOLD PLATED

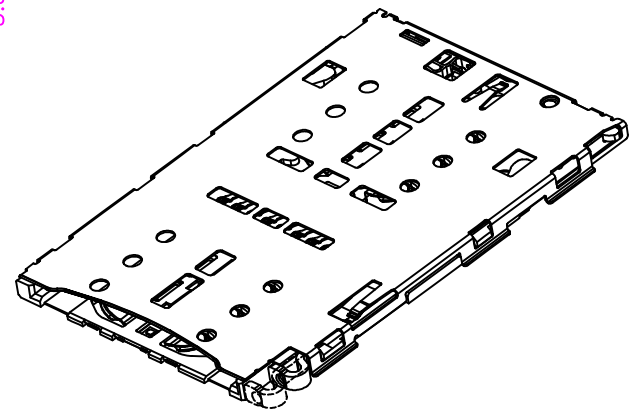


PART NUMBER:
 SMKARA - * - 1 2 2

SERIES _____ TAPE REEL PACKAGE _____

SWITCH PLATED OPTION _____

1: GOLD FLASH
 3: 3u" GOLD
 5: 5u" GOLD
 6: 10u" GOLD
 7: 15u" GOLD
 9: 30u" GOLD



A

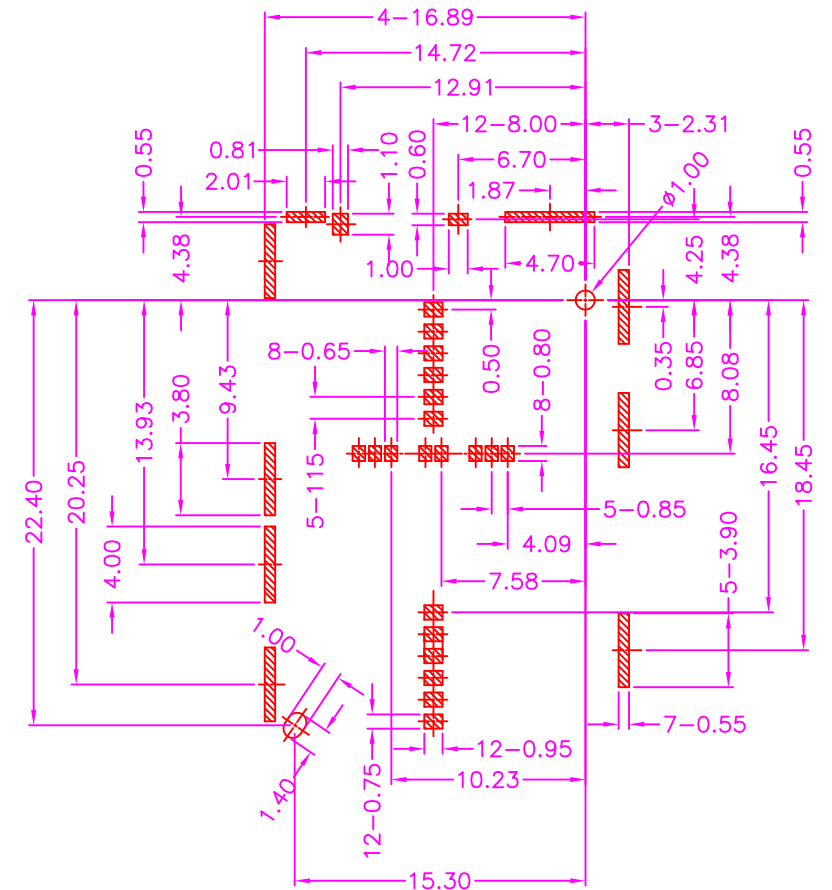
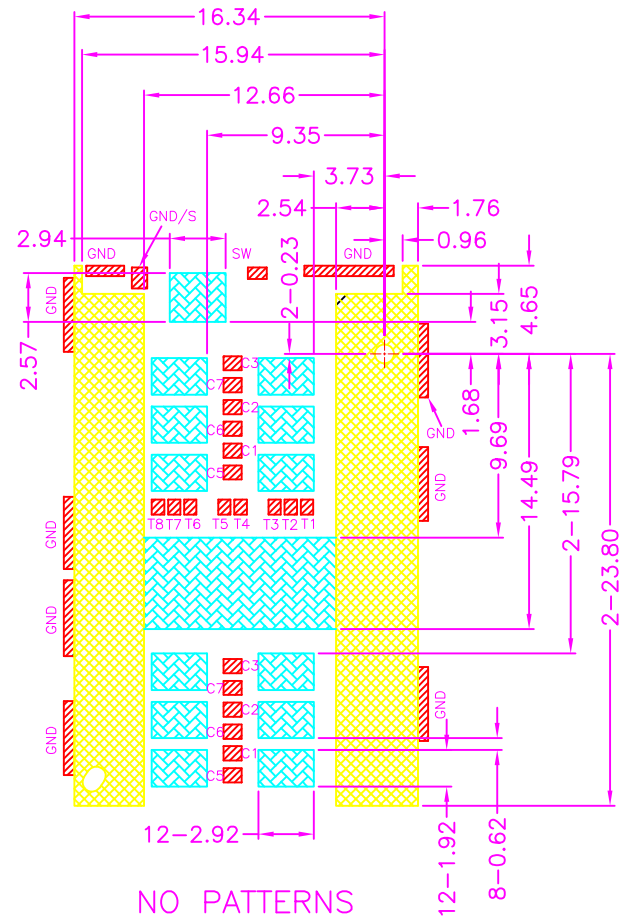
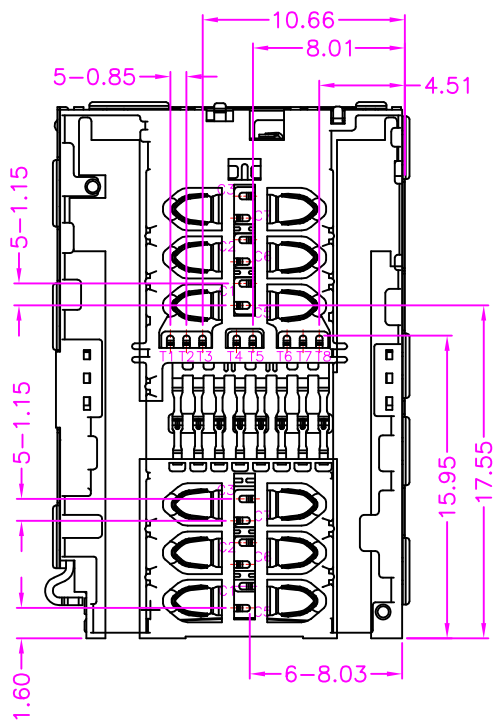
B

C

A

B

C



CIRCUIT DIAGRAM FOR DETECTION SWITCH OF TRAY

TRAY INSERTION CONDITON	DETECT SWITCH	CIRCUIT S/W
WITHOUT TRAY	CLOSE	S/W GND/S
TRAY INSERTION	OPEN	S/W GND/S

- THROUGH HOLE
- SOLDER AREA
- PATTERNS AREA FOR GND
- KEEP OUT AREA

WWW.ZICONN.COM 886-3-4687695

TOLERANCES

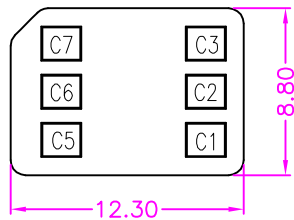
X.±0.40	.XX±0.20
.X±0.30	.XXX±0.10

REV.	A

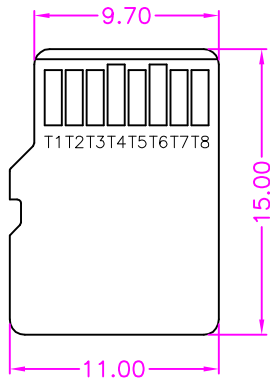
DRAWN BY	Zhong 2018/3/9
APPROVED BY	Lion 2018/3/9

TITLE	NANO SIM & NANO SIM & MICRO SD 3 CHOOSE 2, METAL SHIELD FEMALE, H=1.35mm
DRAW NO.	SMKARA-002

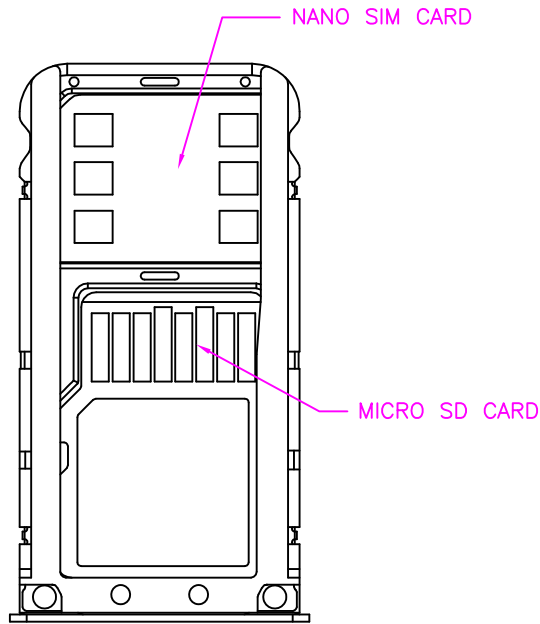
UNIT	MM	Sheet	2/3
------	----	-------	-----



NANO SIM CARD SPEC

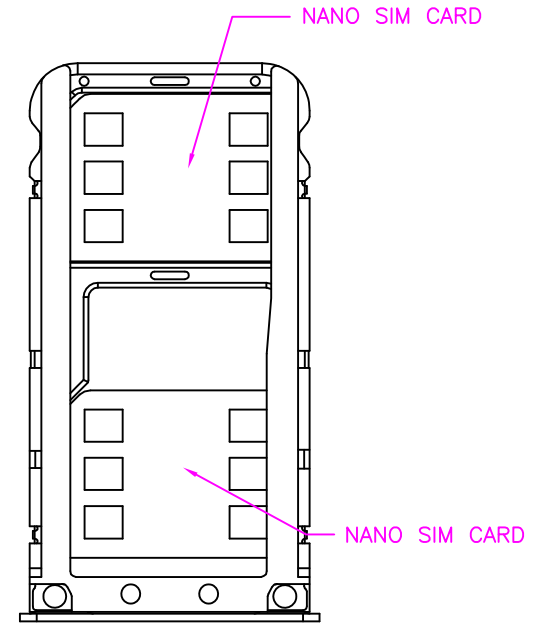


MICRO SD CARD SPEC



TYPE 1

NANO SIM CARD + MICRO SD CARD



TYPE 2

NANO SIM CARD + NANO SD CARD

MICRO SD CARD NO.	FUNCTION NO.	SIM CARD NO.	FUNCTION NO.
T1	DAT2: DATA LINE BIT2	C1	VCC: PWR SIGNAL AND GND
T2	CD/DAT3: CARD DETECT/DATA LINE BIT3	C2	RST: RESET SIGNAL
T3	CMD: COMMAND/RESPONSE	C3	CLK: CLOKING SIGNAL
T4	VDDI: SUPPLY VOLTAGE	C5	GND: PWR SIGNAL AND GND
T5	CLK: CLOCK	C6	VPP: PROGRAMMING VOLTAGE
T6	VSS: SUPPLY VOLTAGE GROUND	C7	I/O: SERAL DATE INPUT/OUTPUT
T7	DAT0: DATA LINE BIT0		
T8	DAT1: DATA LINF BIT1		