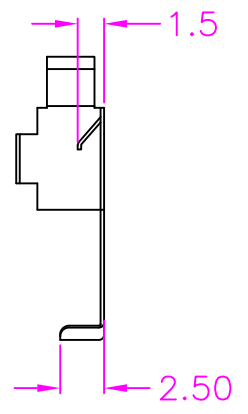
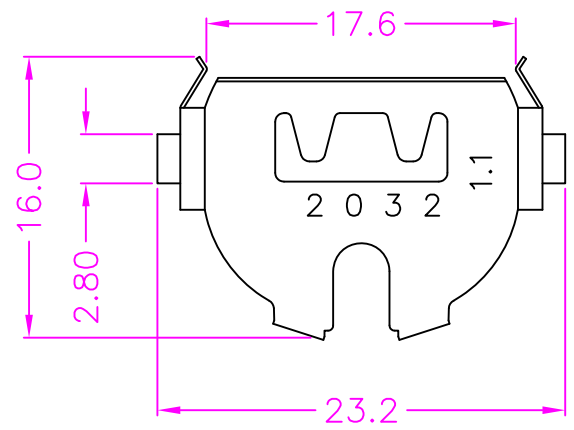
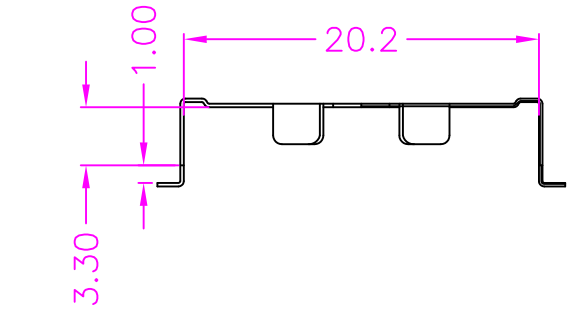


A

B

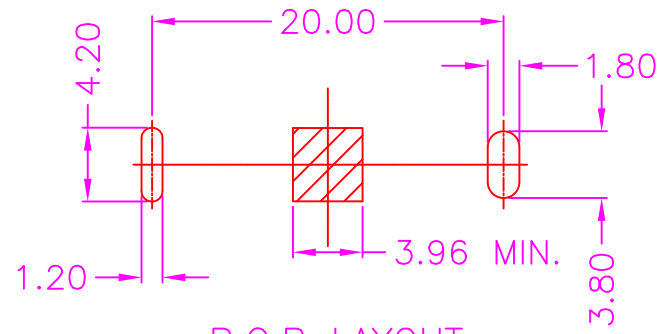
C

D



MATERIALS
SHELL: COPPER ALLOY, NICKEL PLATED

PART NUMBER:
ABRBB - N - 0 4 1
SERIES ——— BAG PACKAGE
NICKEL PLATING ON SHELL ———



P.C.B. LAYOUT
TOP VIEW ±0.05



TOLERANCES	
X.±0.40	.XX±0.20
.X±0.30	.XXX±0.10

REV.	A

DRAWN BY	Zhong 2018/1/19
APPROVED BY	Lion 2017/1/19

TITLE	BATTERY HOLDER, SMT, FULL METAL SHIELD, CR2032				
DRAW NO.	ABRBB-001	UNIT	MM	Sheet	1/1