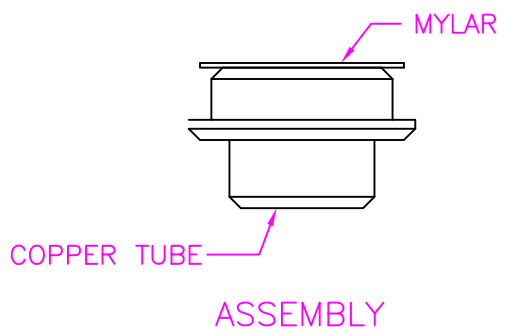
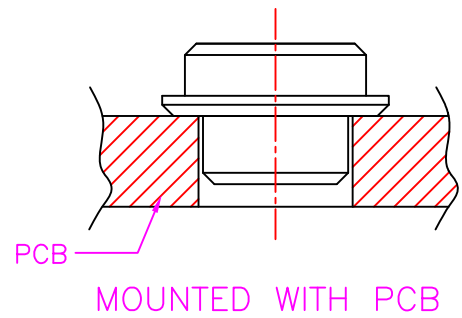


COPPER TUBE



ASSEMBLY



MOUNTED WITH PCB

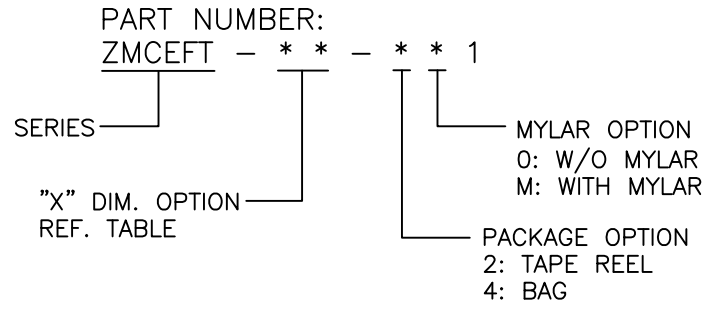
MATERIALS

COPPER TUBE: COPPER ALLOY, TIN PLATING
 MYLAR: POLYIMIDE FILM

INFORMATION

COMPATIBLE MINI PCI-E DRAWING NO:
 MCEFT-001 & MCEFT-002 & MCEFT-003
 MCEFT-004 & MCEFT-005

COMPATIBLE SCREW DRAWING NO:
 ZMCEFT-002



TABLE

P/N	X	MINI PCI-E HEIGHT
ZMCEFT-40	1.60	4.00
ZMCEFT-52	2.80	5.20
ZMCEFT-56	3.20	5.60
ZMCEFT-68	4.40	6.80
ZMCEFT-80	5.60	8.00
ZMCEFT-91	6.80	9.20
ZMCEFT-99	7.50	9.90