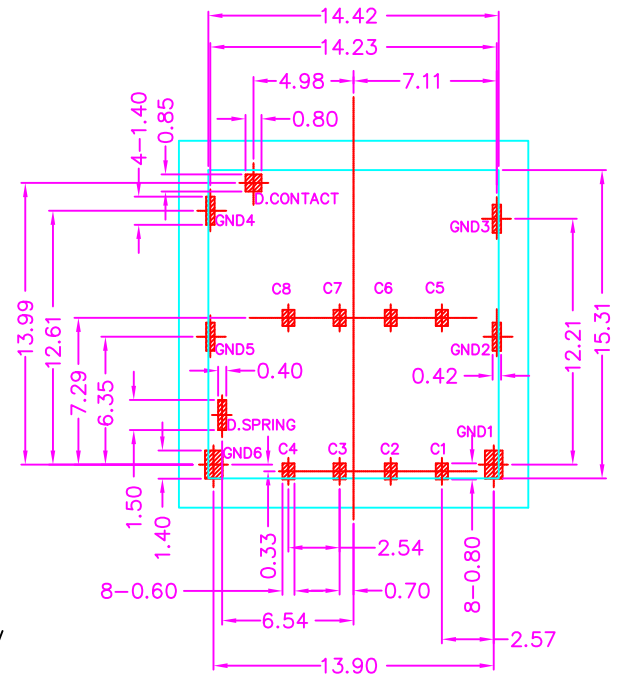


CIRCUIT DIAGRAM FOR DETECT SWITCH

CARD INSERTION STATE	DETECT SWITCH CIRCUIT STATE	SCHEMATIC
CARD MATED	OPENED	D.S D.C
CARD UNMATED	CLOSED	D.S D.C

D.S	DETECT SPRING
D.C	DETECT CONTACT



PART NUMBER:
MMCQG - 0 6 * - 1 2 1

SERIES — NO. OF POS. — TAPE REEL PACKAGE

CONTACT PLATED OPTION

- 1: GOLD FLASH
- 3: 3u" GOLD
- 5: 5u" GOLD
- 6: 10u" GOLD
- 7: 15u" GOLD
- 9: 30u" GOLD

MATERIALS

HOUSING: LCP (UL 94V-0), BLACK
 SHELL: STAINLESS STEEL, NICKEL PLATING
 SOLDER PAD: STAINLESS STEEL, TIN PLATING
 TERMINAL: COPPER ALLOY, GOLD PLATING

SPECIFICATION

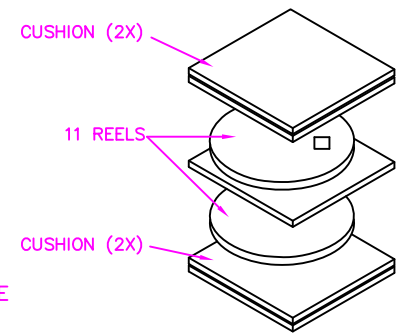
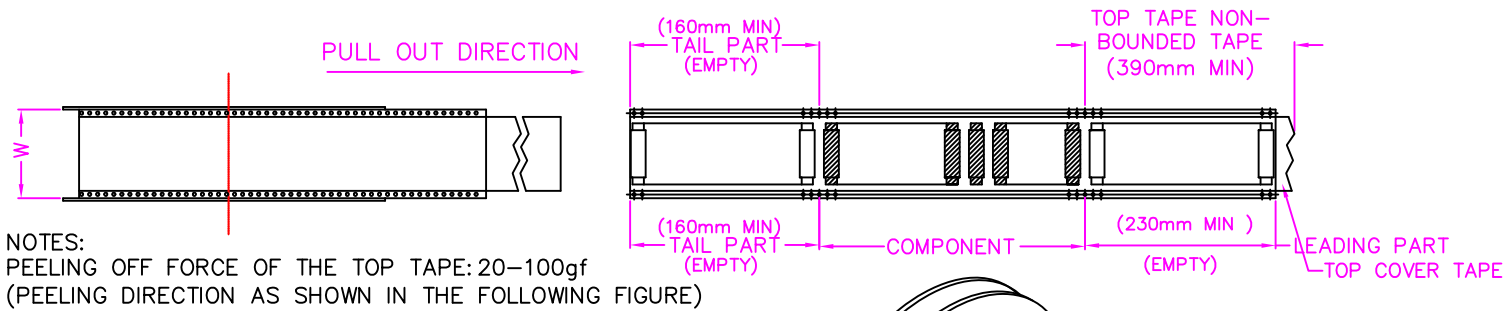
CURRENT RATING: 0.5 AMP MAX
 DIELECTRIC WITHSTANDING: 500V AC FOR ONE MINUTE
 CONTACT RESISTANCE: 100m OHMS MAX
 INSULATION RESISTANCE: 1000M OHMS MIN AT DC 500V
 OPERATION TEMPERATURE: -40°C ~ +85°C



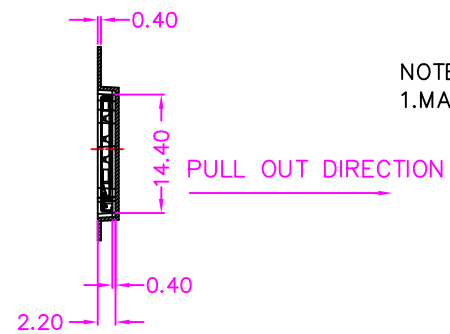
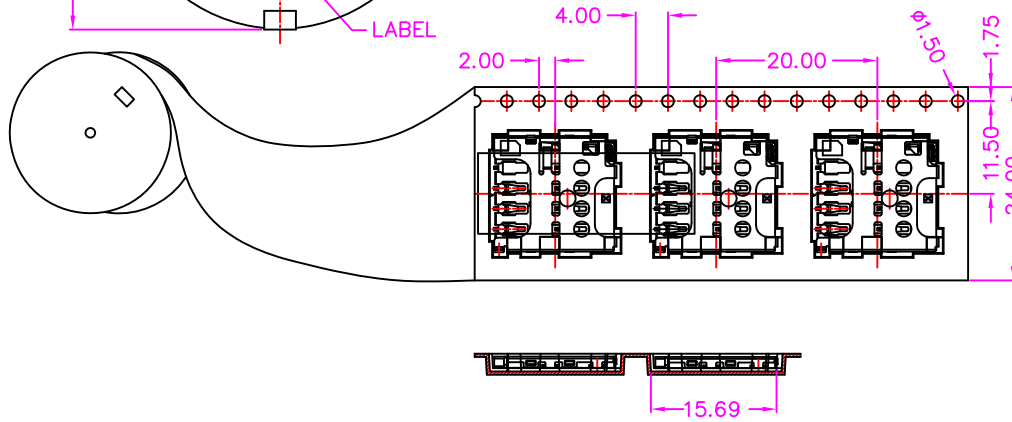
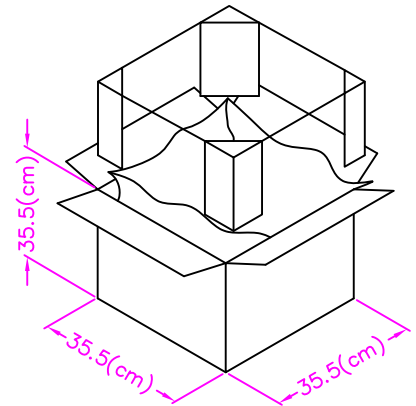
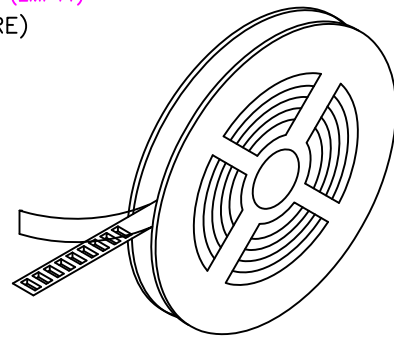
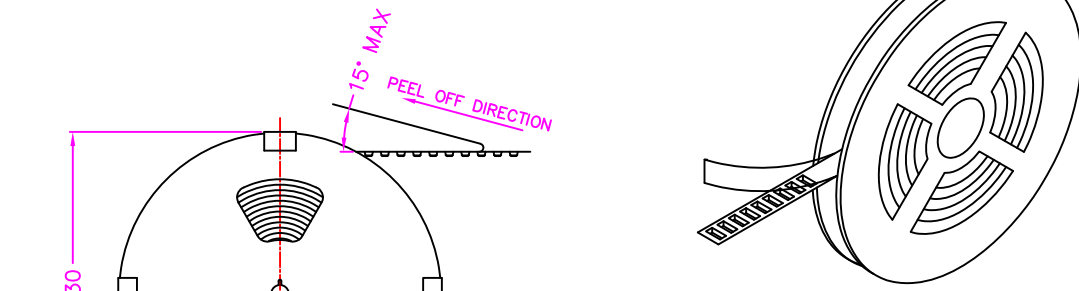
TOLERANCES

X.±0.40	.XX±0.20
.X±0.30	.XXX±0.10

REV.	A	DRAWN BY	Zhong 2018/4/2	TITLE	MICRO SIM CARD, 6PIN, PCB MOUNT, SMT ,METAL SHIELD FEMALE, PUSH PULL WITH DETECT PIN, H=1.40mm				
		APPROVED BY	Lion 2018/4/2	DRAW NO.	MMCQG-001	UNIT	MM	Sheet	1/2



NOTES:
PEELING OFF FORCE OF THE TOP TAPE: 20-100gf
(PEELING DIRECTION AS SHOWN IN THE FOLLOWING FIGURE)



NOTES:
1.MATERIAL: PS (COLOR: TRANSPARENT)