

MATERIALS

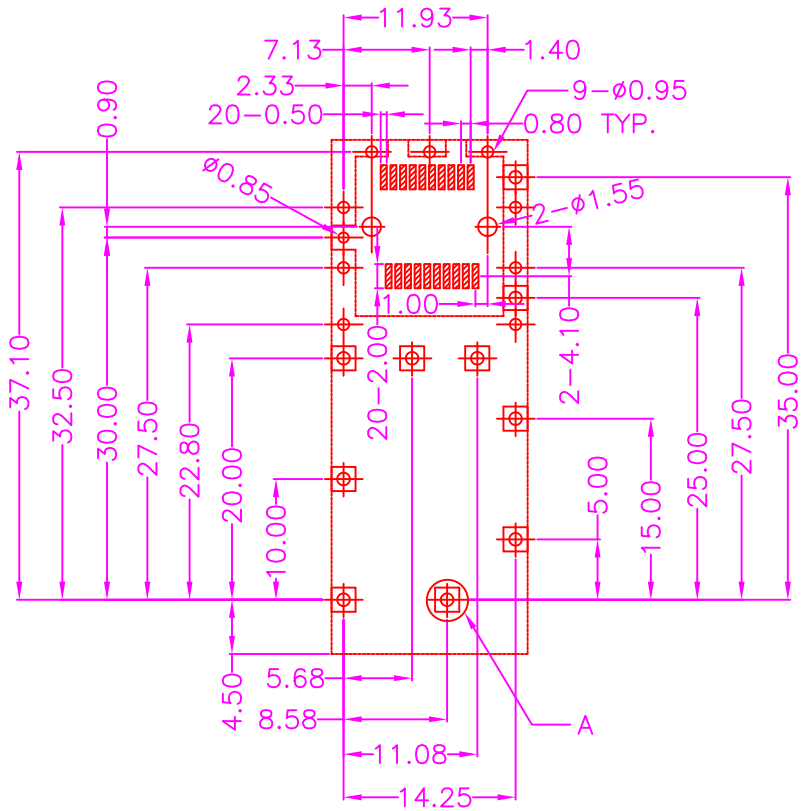
METAL SHIELD: COPPER ALLOY

PART NUMBER:

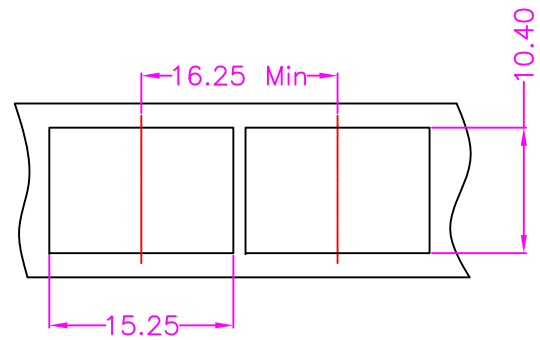
F11AB - 0 C - 1 1

SERIES

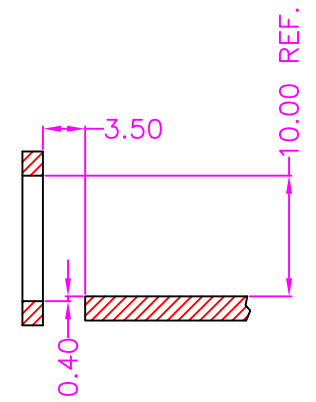
TRAY PACKAGE



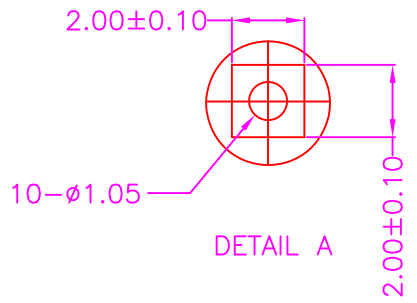
P.C.B LAYOUT
TOP VIEW ±0.05



RECOMMENDED BEZEL THICKNESS:0.80~2.60mm



BEZEL OPENING
BELOW TOP OF PCB

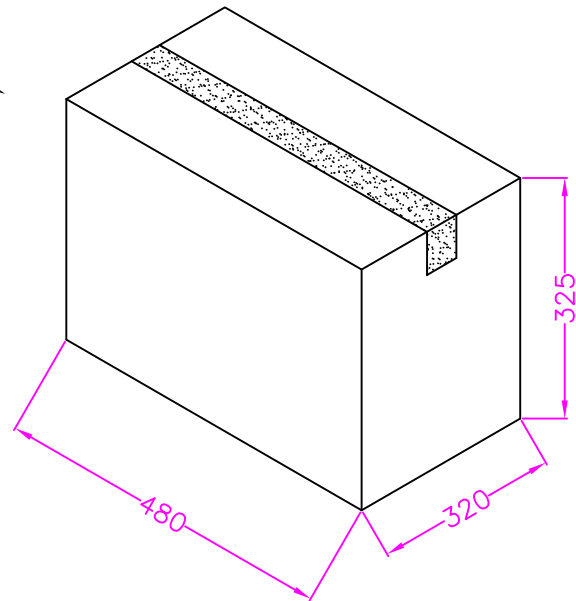
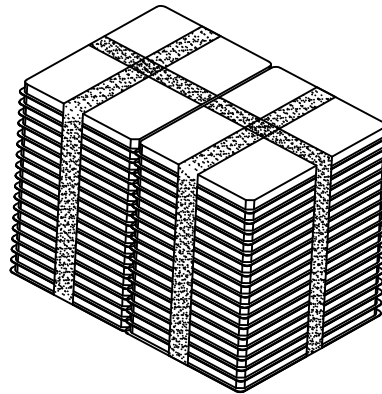
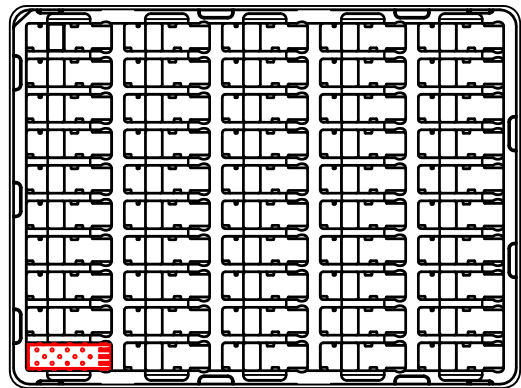


DETAIL A



| TOLERANCES | |
|------------|-----------|
| X.±0.40 | .XX±0.20 |
| .X±0.30 | .XXX±0.10 |

| | | | | | | | | | |
|------|---|-------------|----------------|----------|---|------|----|-------|-----|
| REV. | A | DRAWN BY | Zhong 2018/5/3 | TITLE | SFP CAGE, R/A, METAL SHIELD, DIP THROUGH HOLE | | | | |
| | | APPROVED BY | Lion 2018/5/3 | DRAW NO. | F11AB-001 | UNIT | MM | Sheet | 2/3 |



NOTE: 50PCS/ TRAY, 1700PCS/ 34 TRAYS/ CARTON