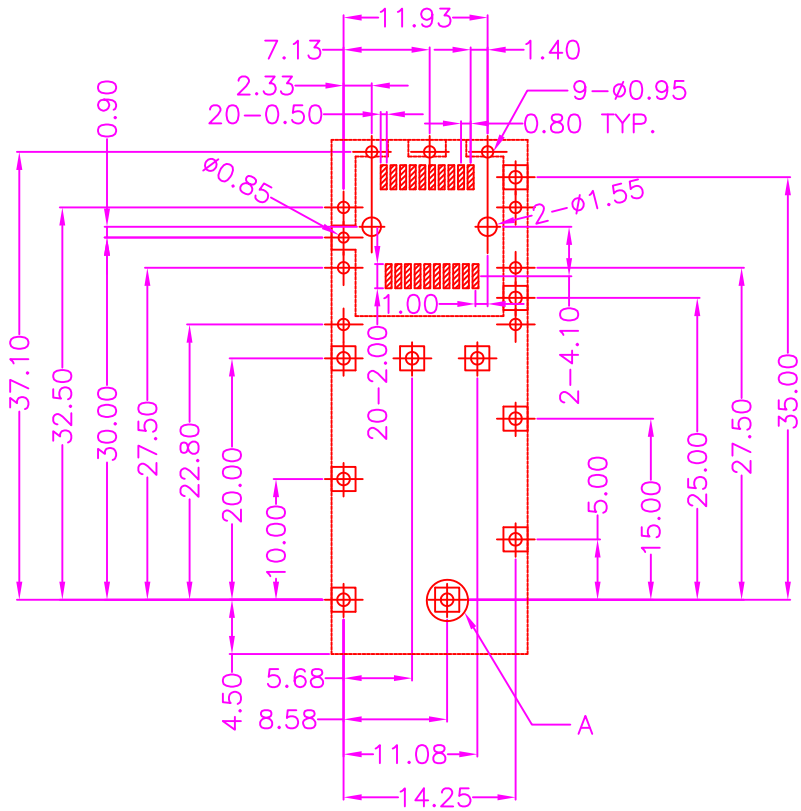


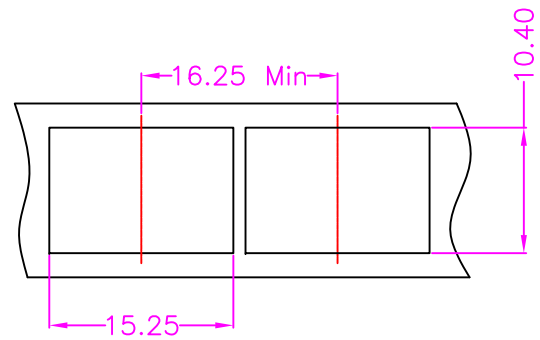
MATERIALS  
METAL SHIELD: COPPER ALLOY

PART NUMBER:  
F11AD - 0 C - 1 1

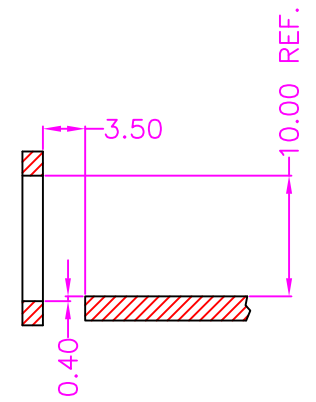
SERIES ——— TRAY PACKAGE



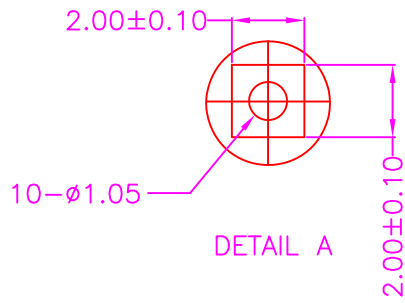
P.C.B LAYOUT  
TOP VIEW ±0.05



RECOMMENDED BEZEL THICKNESS:0.80~2.60mm



BEZEL OPENING  
BELOW TOP OF PCB

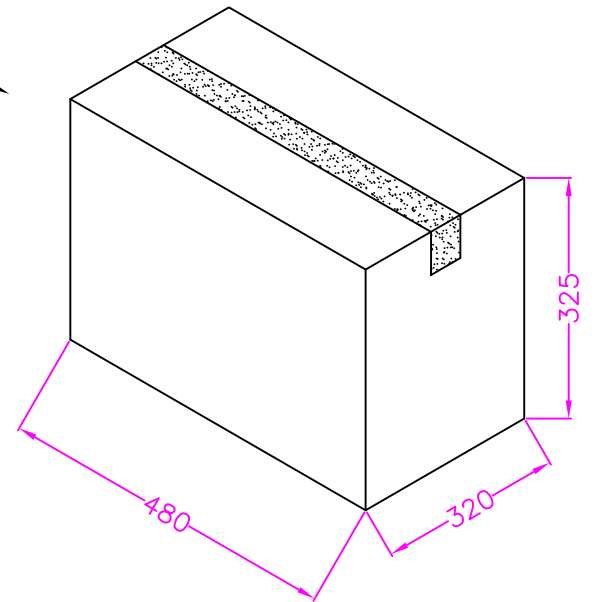
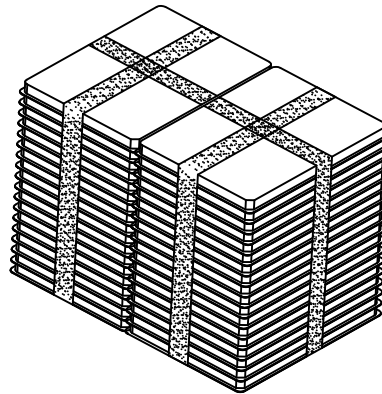
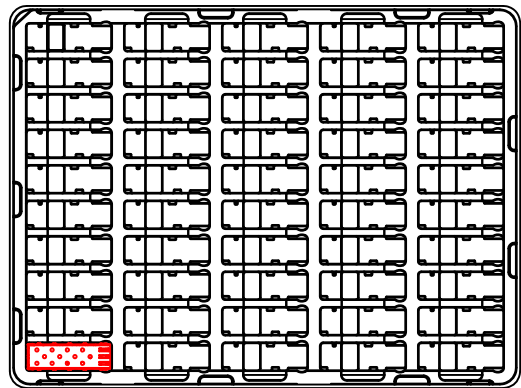


DETAIL A



TOLERANCES	
X.±0.40	.XX±0.20
.X±0.30	.XXX±0.10

REV.	A	DRAWN BY	Zhong 2018/5/3	TITLE	SFP CAGE, R/A, METAL SHIELD, PRESS FIT TYPE				
		APPROVED BY	Lion 2018/5/3	DRAW NO.	F11AD-001	UNIT	MM	Sheet	2/3



NOTE: 50PCS/ TRAY, 1700PCS/ 34 TRAYS/ CARTON