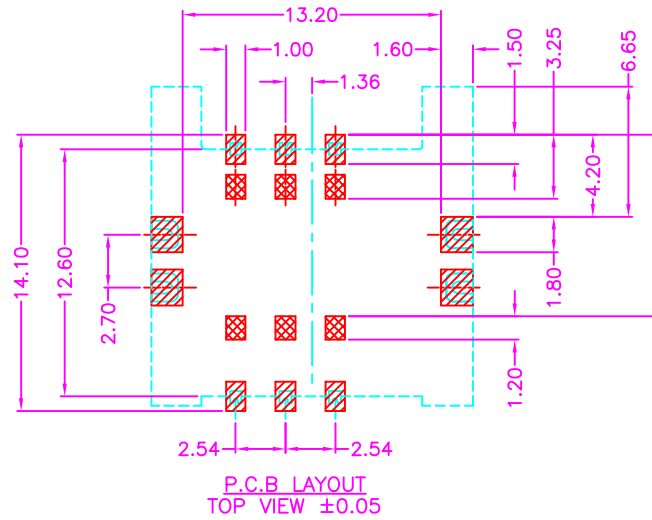
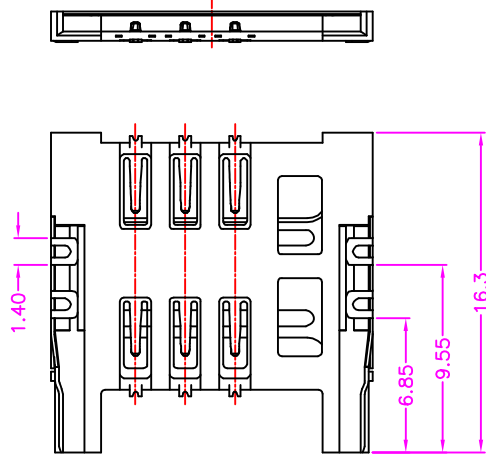


MATERIALS

HOUSING: HI-TEMP. PLASTIC (UL 94V-0), BLACK
 SHELL: STAINLESS STEEL
 SOLDER PAD: STAINLESS STEEL, GOLD PLATED
 TERMINAL: COPPER ALLOY, GOLD PLATED ON CONTACT AREA
 TIN PLATING ON SOLDER TAIL

SPECIFICATION

CURRENT RATING: 0.5 AMP MAX
 DIELECTRIC WITHSTANDING: 500V AC FOR ONE MINUTE
 CONTACT RESISTANCE: 100m OHMS MAX
 INSULATION RESISTANCE: 1000M OHMS MIN AT DC 500V
 OPERATION TEMPERATURE: -40°C~+85°C



KEEP OUT AREA
 PAD AREA

PART NUMBER:

MMCPB - 0 6 * - 1 2 1 *

SERIES ————
 NO. OF POS. ————
 CONTACT PLATED OPTION ————
 DIM "A" OPTION
 1: 1.55mm
 2: 1.80mm
 3: 2.00mm
 TAPE REEL PACKAGE

CONTACT PLATED OPTION

- 1: GOLD FLASH
- 3: 3u" GOLD
- 5: 5u" GOLD
- 6: 10u" GOLD
- 7: 15u" GOLD
- 9: 30u" GOLD



TOLERANCES	
X.±0.40	.XX±0.20
.X±0.30	.XXX±0.10

REV.	A	DRAWN BY	Zhong 2018/4/23	TITLE	SIM CARD, 6PIN, PCB MOUNT, SMT, METAL SHIELD, FEMALE				
		APPROVED BY	Lion 2018/4/23	DRAW NO.	MMCPB-001	UNIT	MM	Sheet	1/1