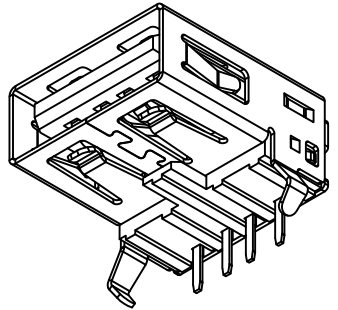
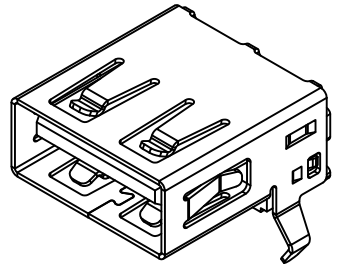
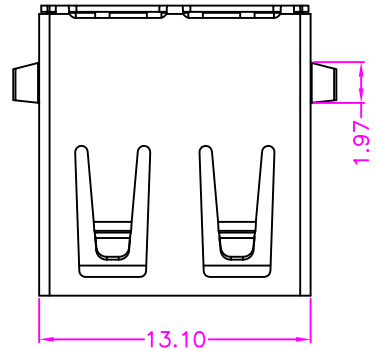


A



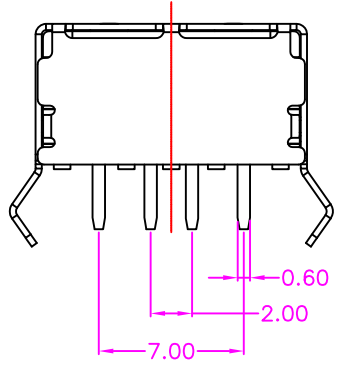
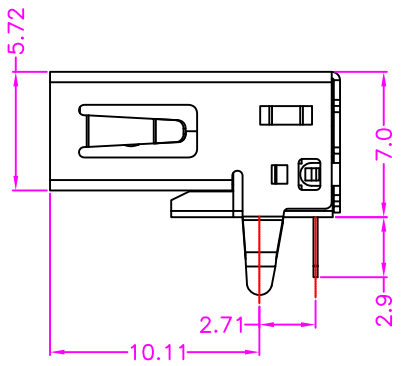
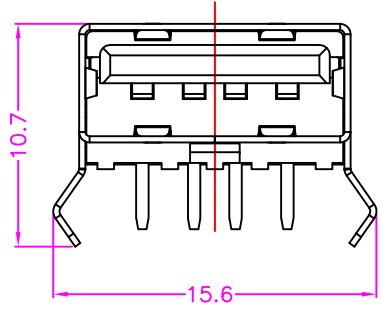
MATERIALS

HOUSING: THERMOPLASTIC (UL 94V-0)
 SHELL: SPCC, NICKEL PLATING
 TERMINAL: COPPER ALLOY, GOLD PLATED ON CONTACT AREA
 TIN PLATING ON SOLDER TAIL

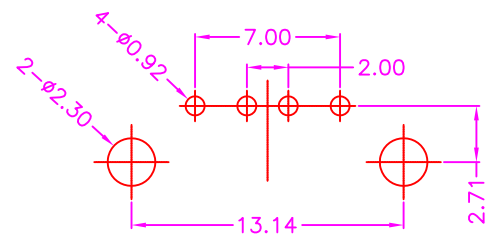
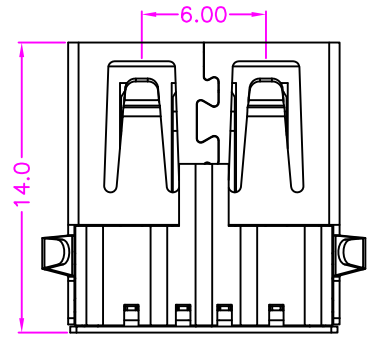
SPECIFICATION

CURRENT RATING: 1 AMP MAX
 DIELECTRIC WITHSTANDING: 500V AC FOR ONE MINUTE
 CONTACT RESISTANCE: 30m OHMS MAX
 INSULATION RESISTANCE: 1000M OHMS MIN AT DC 500V
 OPERATION TEMPERATURE: -25°C~+85°C

B



C



P.C.B. LAYOUT
 TOP VIEW ±0.05

PART NUMBER:

BUSAC - 0 4 * T - 1 1 1 *

SERIES ————
 NO. OF POS. ————
 CONTACT PLATED OPTION ————
 HOUSING COLOR OPTION
 BLANK: BLACK
 W: WHITE
 TRAY PACKAGE
 TIN PLATING ON SOLDER TAIL

1: GOLD FLASH
 3: 3u" GOLD
 5: 5u" GOLD
 6: 10u" GOLD
 7: 15u" GOLD
 9: 30u" GOLD

D



TOLERANCES

X.±0.40	.XX±0.20
.X±0.30	.XXX±0.10

REV.	A	DRAWN BY	Zhong 2018/4/10	TITLE	USB A TYPE, PCB MOUNT, R/A, METAL SHIELD, FEMALE				
		APPROVED BY	Lion 2018/4/10	DRAW NO.	BUSAC-001	UNIT	MM	Sheet	1/2

BUSAC-001	UNIT	MM	Sheet	1/2
-----------	------	----	-------	-----

1

2

3

4

5

6

A

A

B

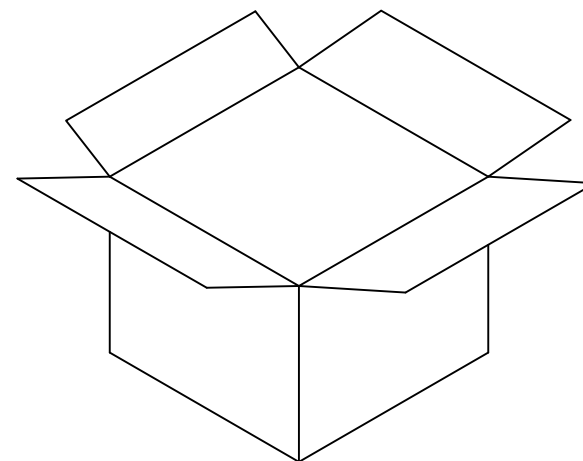
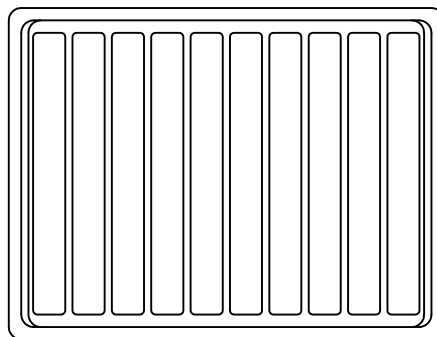
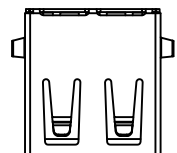
B

C

C

D

D



NOTE: 100PCS/ TRAY, 3000PCS/ 30 TRAY/ CARTON



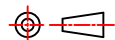
TOLERANCES
X.±0.40 .XX±0.20
.X±0.30 .XXX±0.10

REV. A

DRAWN BY Zhong 2018/4/10

TITLE

USB A TYPE, PCB MOUNT, R/A, METAL SHIELD, FEMALE



APPROVED BY Lion 2018/4/10

DRAW NO.

BUSAC-001

UNIT

MM

Sheet

2/2

1

2

3

4

5

6