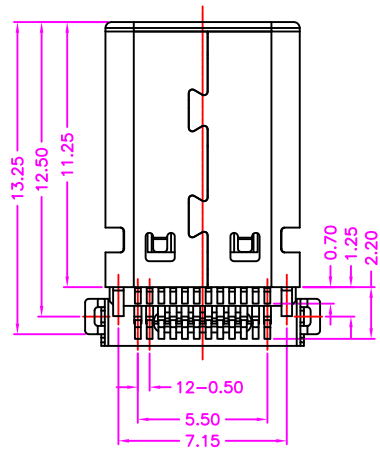


P.C.B. LAYOUT
TOP VIEW ±0.05



MATERIALS

HOUSING: HI-TEMP. PLASTIC (UL 94V-0)
SHELL: STEEL ALLOY, NICKEL PLATING
SOLDER PAD: COPPER ALLOY, NICKEL PLATING
TERMINAL: COPPER ALLOY, GOLD PLATED ON CONTACT AREA, TIN PLATING ON SOLDER TAIL

SPECIFICATION

CURRENT RATING: 1.5 AMP MAX
DIELECTRIC WITHSTANDING: 500V AC FOR ONE MINUTE
CONTACT RESISTANCE: 30m OHMS MAX
INSULATION RESISTANCE: 1000M OHMS MIN AT DC 500V
OPERATION TEMPERATURE: -40°C~+85°C

PART NUMBER:
BUSJD - 2 4 * T - 2 * 2 *

SERIES ————
NO. OF POS. ————

RIB OPTION
BLANK: WITHOUT RIB
R: WITH RIB

PACKAGE OPTION
1: TRAY
2: TAPE REEL

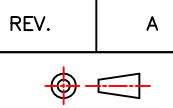
TIN PLATING ON SOLDER TAIL

CONTACT PLATED OPTION
1: 1u" GOLD
3: 3u" GOLD
5: 5u" GOLD
6: 10u" GOLD
7: 15u" GOLD
9: 30u" GOLD

PIN NUMBER		PIN NUMBER	
PIN A1	GND	PIN B12	GND
PIN A2	TX1+	PIN B11	RX1+
PIN A3	TX1-	PIN B10	RX1-
PIN A4	VBUS	PIN B9	VBUS
PIN A5	CC	PIN B8	SBU2
PIN A6	D+	PIN B7	D-
PIN A7	D-	PIN B6	D+
PIN A8	SBU1	PIN B5	VCONN
PIN A9	VBUS	PIN B4	VBUS
PIN A10	RX2-	PIN B3	TX2-
PIN A11	RX2+	PIN B2	TX2+
PIN A12	GND	PIN B1	GND

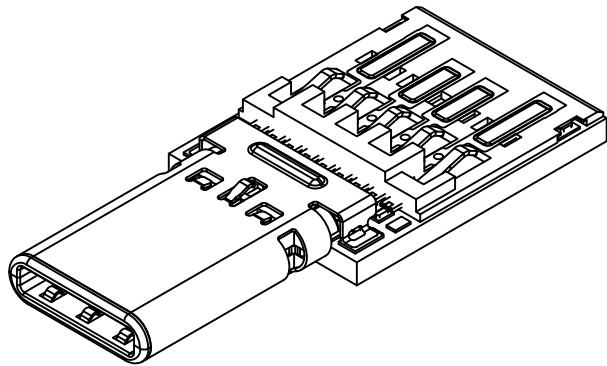
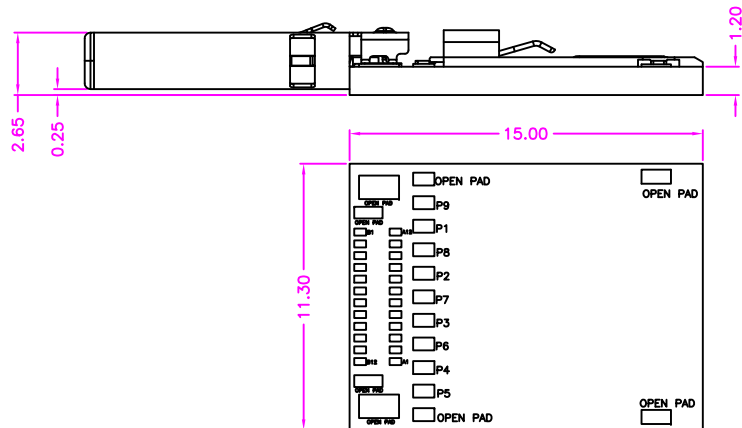
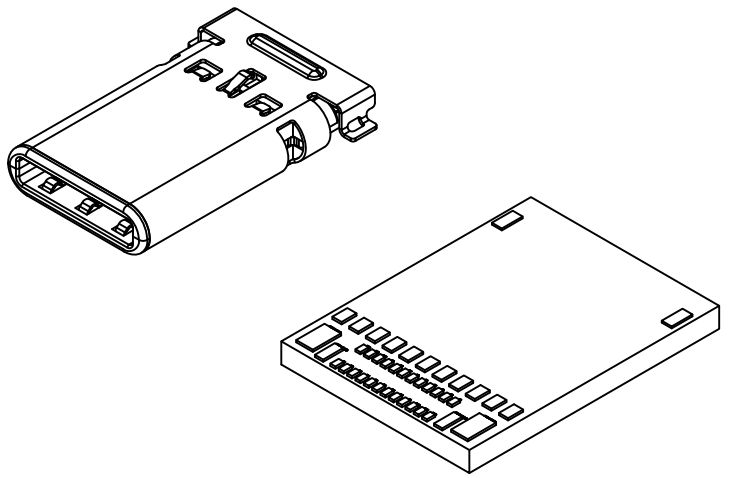
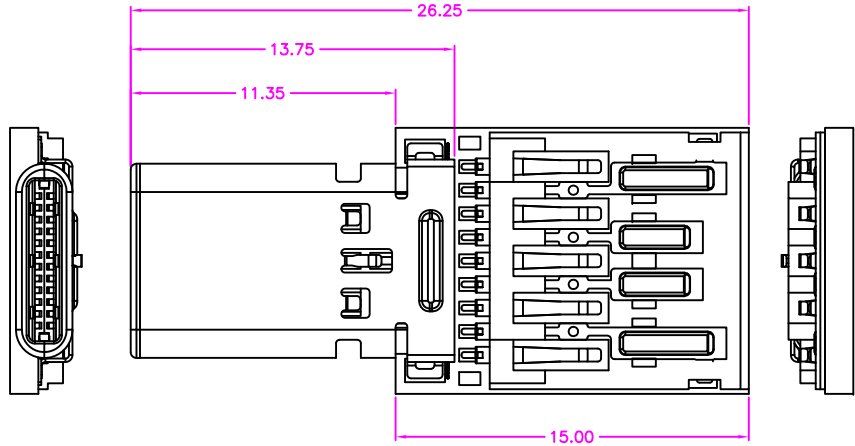


TOLERANCES
X.±0.40 .XX±0.20
.X±0.30 .XXX±0.10



REV. A
DRAWN BY Zhong 2018/5/22
APPROVED BY Lion 2018/5/22

TITLE: USB C TYPE, PCB MOUNT, SMT MID MOUNT TYPE, METAL SHIELD, MALE
DRAW NO. BUSJD-002
UNIT MM
Sheet 1/2



TOP MOUNT