

SIM PIN ASSIGNMENT	
PIN	Name
C1	VCC
C2	RST
C3	CLK
C5	GND
C6	VPP
C7	I/O

MATERIALS

HOUSING: HI-TEMP. PLASTIC (UL 94V-0)
 SHELL: STAINLESS STEEL, NICKEL PLATING
 SOLDER PAD: STAINLESS STEEL, GOLD FLASH
 TERMINAL: COPPER ALLOY, GOLD PLATING

PART NUMBER:

MMCRB - 0 6 * - 1 2 1

SERIES

TAPE REEL PACKAGE

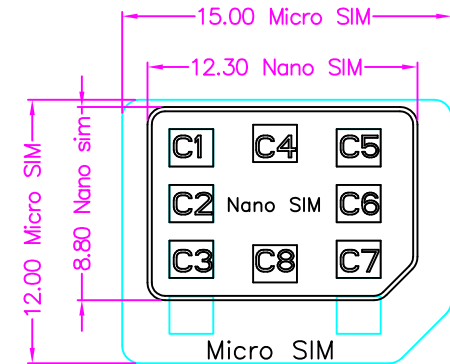
NO. OF POS.

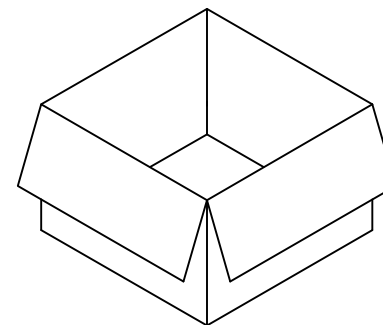
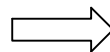
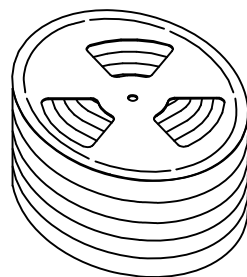
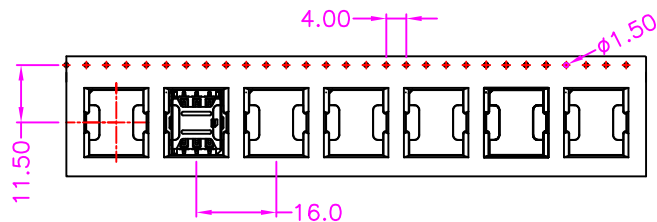
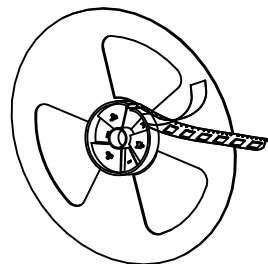
CONTACT PLATED OPTION

SPECIFICATION

CURRENT RATING: 0.5 AMP MAX
 DIELECTRIC WITHSTANDING: 500V AC FOR ONE MINUTE
 CONTACT RESISTANCE: 100m OHMS MAX
 INSULATION RESISTANCE: 1000M OHMS MIN AT DC 500V
 OPERATION TEMPERATURE: -40°C~+85°C

- 1: GOLD FLASH
- 3: 3u" GOLD
- 5: 5u" GOLD
- 6: 10u" GOLD
- 7: 15u" GOLD
- 9: 30u" GOLD





NOTE:1800PCS/ REEL, 9000PCS/ 5 REEL/ CARTON