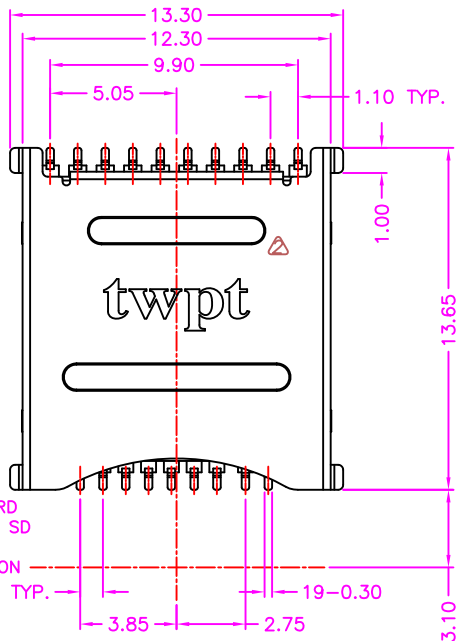


MATERIALS

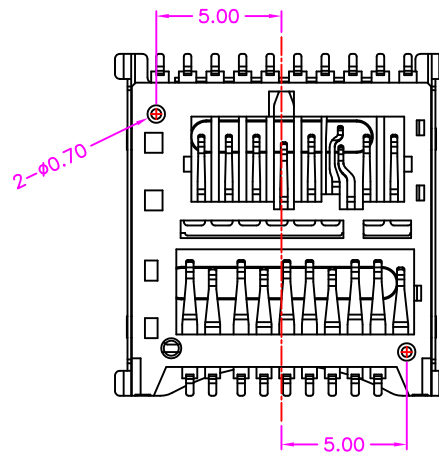
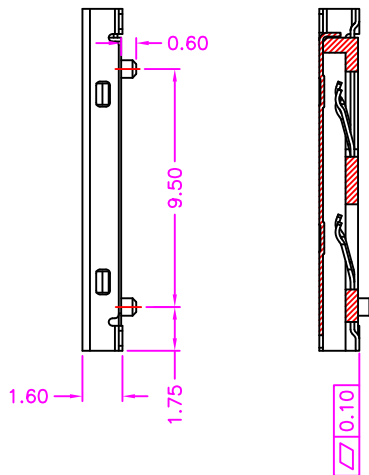
HOUSING: HI-TEMP. PLASTIC (UL 94V-0), BLACK
 SHELL: STAINLESS STEEL, NICKEL PLATING
 SOLDER PAD: STAINLESS STEEL, GOLD PLATING
 TERMINAL: COPPER ALLOY, GOLD PLATED

SPECIFICATION

CURRENT RATING: 0.5 AMP MAX
 DIELECTRIC WITHSTANDING: 500V AC FOR ONE MINUTE
 CONTACT RESISTANCE: 100m OHMS MAX
 INSULATION RESISTANCE: 1000M OHMS MIN AT DC 500V
 OPERATION TEMPERATURE: -40°C~+85°C



MICRO SD CARD
 UHS-II MICRO SD
 UFS CARD
 INSERT POSITION



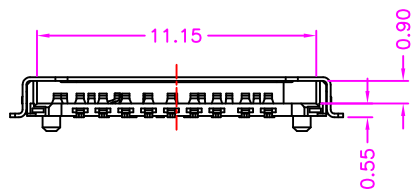
PART NUMBER:

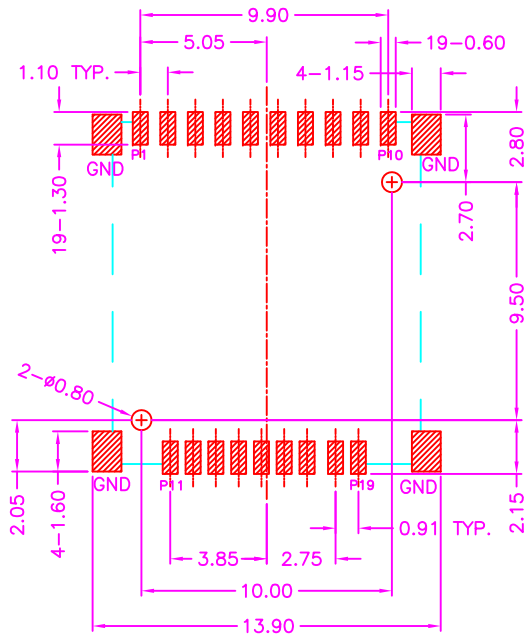
MMCWB - 1 9 * - 1 2 1

SERIES — NO. OF POS. — TERMINAL PLATED OPTION — TAPE REEL PACKAGE

TERMINAL PLATED OPTION

- 1: GOLD FLASH
- 3: 3u" GOLD
- 5: 5u" GOLD
- 6: 10u" GOLD
- 7: 15u" GOLD
- 9: 30u" GOLD





P.C.B. LAYOUT
TOP VIEW ±0.05

PAD AREA
 KEEP OUT AREA

Pin No.	microSD	UFS	UHS-II microSD
P1	VSS	VSS	VSS
P2	8-DAT1		8-RCLK-
P3	7-DAT0		7-RCLK+
P4	6-CD	11-CD	6-CD
P5	5-CLK		5-Not used
P6	4-VDD	12-VCC	4-VDD1(3.3V)
P7	3-CMD		3-Not used
P8	2-DAT3		2-Not used
P9	1-DAT2		1-Not used
P10	VSS	1-VSS	16-VSS
P11		2-DIN_C	15-D1+
P12		3-DIN_T	14-D1-
P13		4-VSS	13-VSS
P14		5-DOUT_C	12-D0-
P15		6-DOUT_T	11-D0+
P16		7-VSS	10-VSS
P17		8-REF_CLK	
P18		9-VCCQ2	9-VDD2(1.8V)
P19	VSS	10-VSS	VSS



TOLERANCES

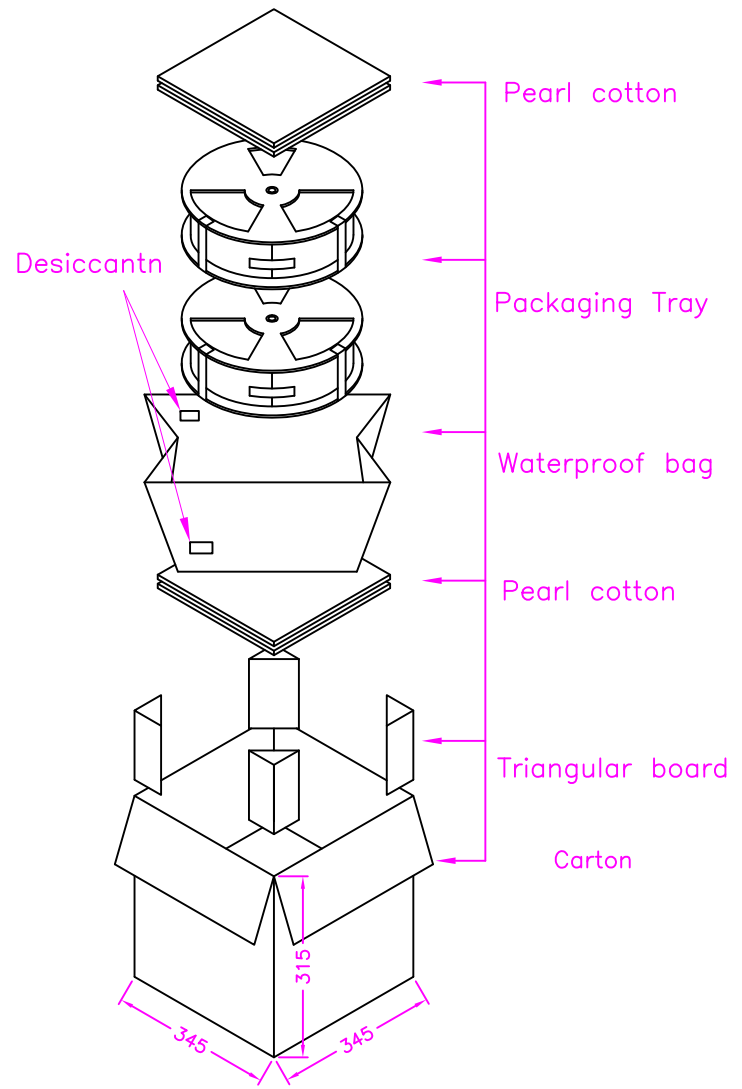
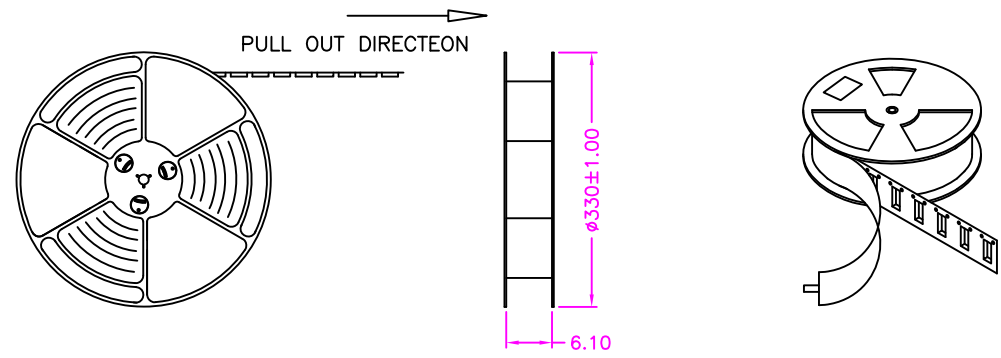
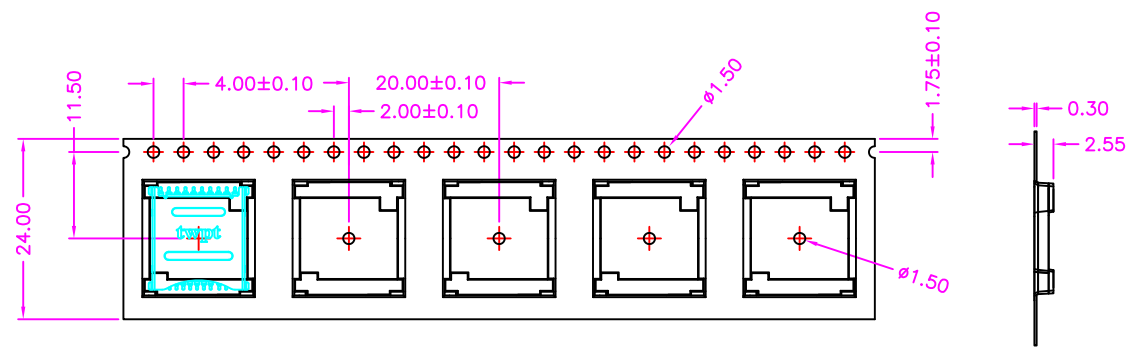
X.±0.40	.XX±0.20
.X±0.30	.XXX±0.10

REV.	A	DRAWN BY	Zhong 2018/8/11	TITLE	UFS CARD/MICRO SD/UHS-II, 3 IN 1, PCB MOUNT, SMT, METAL SHIELD WITH PAD, FEMALE H=1.60mm				
		APPROVED BY	Lion 2018/8/11	DRAW NO.	MMCWB-001	UNIT	MM	Sheet	2/3

1 2 3 4 5 6

A

A



NOTE: 1000PCS/REEL, 10000PCS, 10 REEL/CARTON

D

D

Z **ZICONN**
ELECTRONIC CO., LTD.
WWW.ZICONN.COM 886-3-4687695

TOLERANCES	
X.±0.40	.XX±0.20
.X±0.30	.XXX±0.10

REV.	A

DRAWN BY	Zhong 2018/8/11
APPROVED BY	Lion 2018/8/11

TITLE	
DRAW NO.	

UFS CARD/MICRO SD/UHS-II, 3 IN 1, PCB MOUNT, SMT, METAL SHIELD WITH PAD, FEMALE H=1.60mm				
MMCWB-001	UNIT	MM	Sheet	3/3

1 2 3 4 5 6

C0155