

PART NUMBER:  
MMCKD - 0 8 \* - 1 2 7

SERIES — NO. OF POS. — CONTACT PLATED OPTION — TAPE REEL PACKAGE

- 1: GOLD FLASH
- 3: 3u" GOLD
- 5: 5u" GOLD
- 6: 10u" GOLD
- 7: 15u" GOLD
- 9: 30u" GOLD

**MATERIALS**

HOUSING: HI-TEMP. PLASTIC (UL 94V-0), BLACK  
 SHELL: STAINLESS STEEL, NICKEL PLATING  
 SOLDER PAD: STAINLESS STEEL, GOLD PLATING  
 TERMINAL: COPPER ALLOY, GOLD PLATED

**SPECIFICATION**

CURRENT RATING: 0.5 AMP MAX  
 DIELECTRIC WITHSTANDING: 500V AC FOR ONE MINUTE  
 CONTACT RESISTANCE: 100m OHMS MAX  
 INSULATION RESISTANCE: 1000M OHMS MIN AT DC 500V  
 OPERATION TEMPERATURE: -40°C~+85°C



TOLERANCES	
X.±0.40	.XX±0.20
.X±0.30	.XXX±0.10

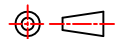
REV.

A

DRAWN BY Frank 2018/7/16

TITLE

MICRO SD, PCB MOUNT, SMT, METAL SHIELD PUSH-PUSH TYPE  
 H=1.45mm, FEMALE



APPROVED BY Lion 2018/7/16

DRAW NO.

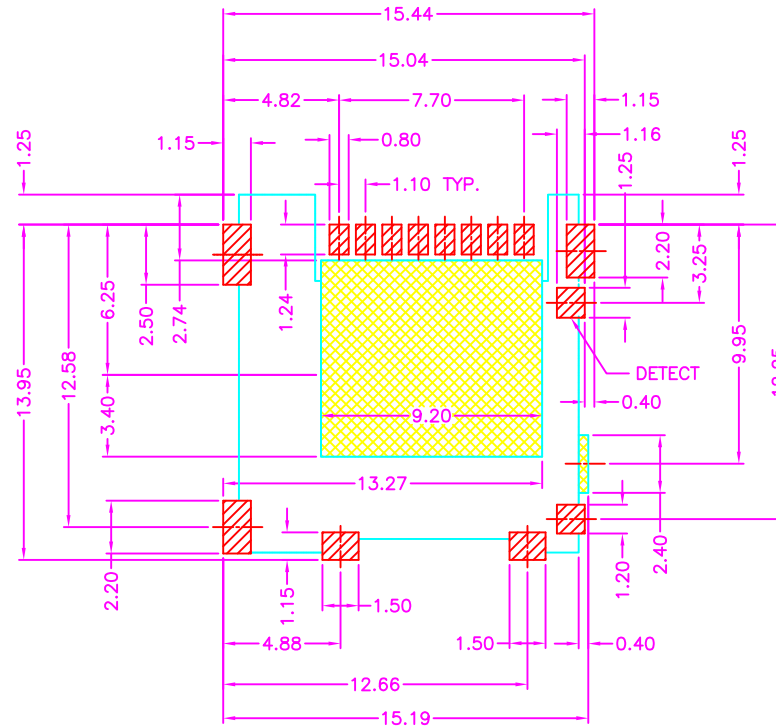
MMCKD-007

UNIT

MM

Sheet

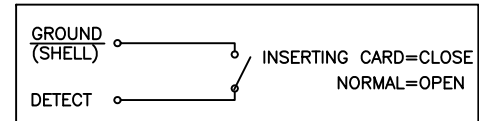
1/3

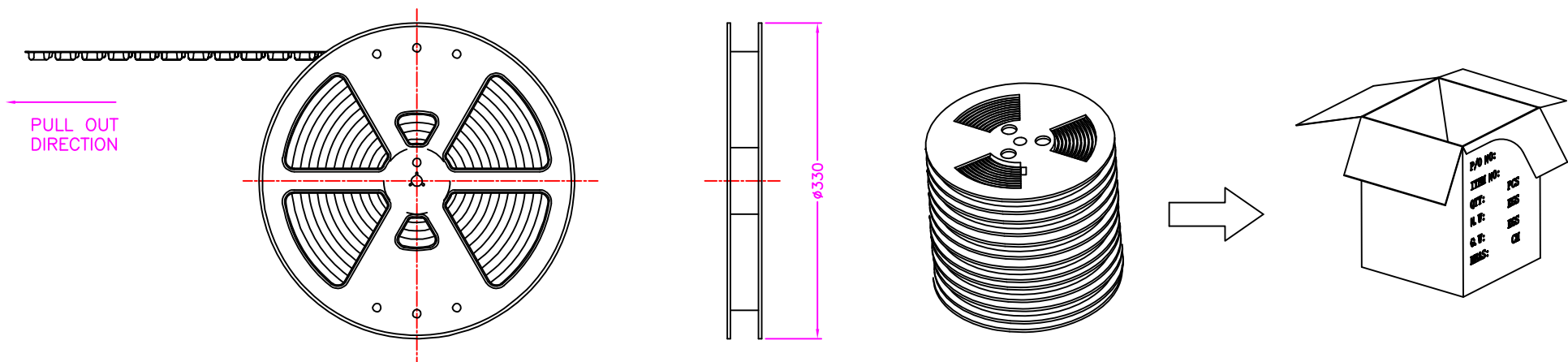
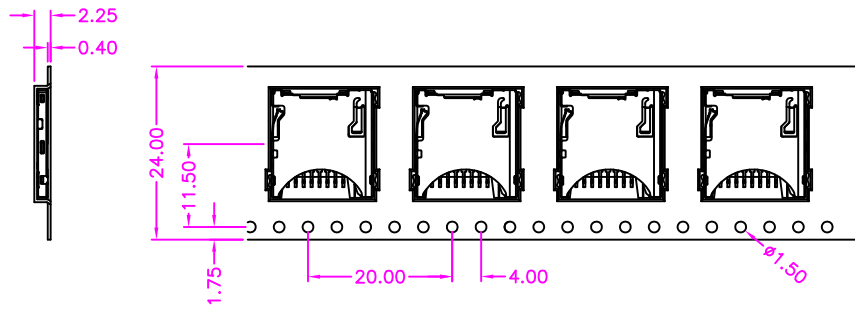


P.C.B. LAYOUT  
TOP VIEW ±0.05

- SOLDER AREA
- KEEP OUT AREA

NAME	TYPE
P1	DATA 2
P2	CD/DATA 3
P3	CMD
P4	VDD
P5	CLK
P6	VSS
P7	DATA 0
P8	DATA 1





NOTE: 1500PCS/ REEL, 15000PCS/ 10 REEL/CARTON



TOLERANCES	
X.±0.40	.XX±0.20
.X±0.30	.XXX±0.10

REV.	A	DRAWN BY	Frank 2018/7/16	TITLE	MICRO SD, PCB MOUNT, SMT, METAL SHIELD, PUSH-PULL TYPE H=1.35mm, FEMALE				
		APPROVED BY	Lion 2018/7/16	DRAW NO.	MMCKD-007	UNIT	MM	Sheet	3/3