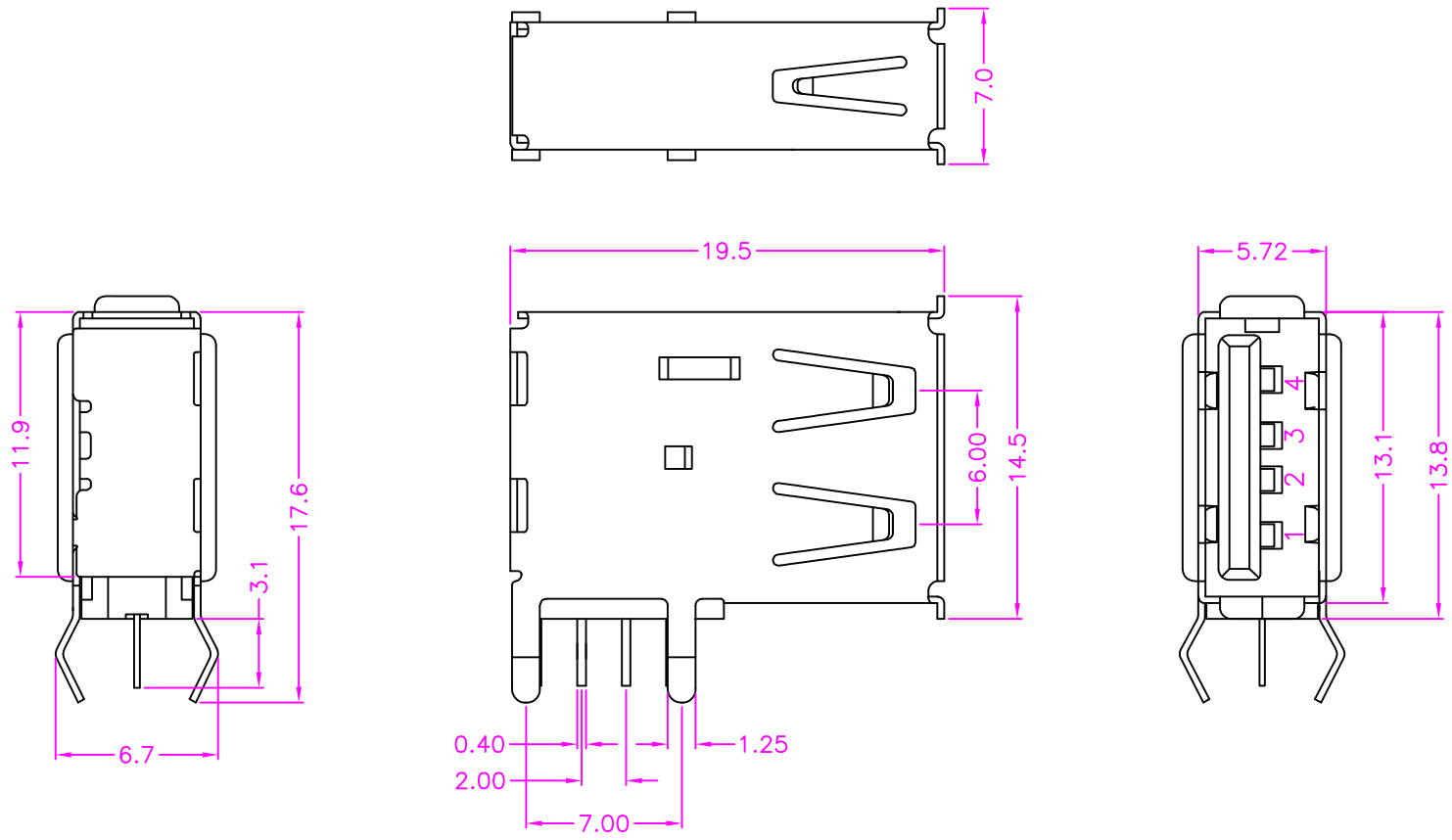


Pin NUMBER	SIGNAL NAME
1	VBUS
2	D-
3	D+
4	GND



**MATERIALS**

HOUSING: THERMOPLASTIC (UL 94V-0)  
 SHELL: SPCC, NICKEL PLATING  
 TERMINAL: COPPER ALLOY, GOLD PLATED ON CONTACT AREA  
 TIN PLATING ON SOLDER TAIL

**SPECIFICATION**

CURRENT RATING: 1 AMP MAX  
 DIELECTRIC WITHSTANDING: 500V AC FOR ONE MINUTE  
 CONTACT RESISTANCE: 30m OHMS MAX  
 INSULATION RESISTANCE: 1000M OHMS MIN AT DC 500V  
 OPERATION TEMPERATURE: -40°C~+85°C

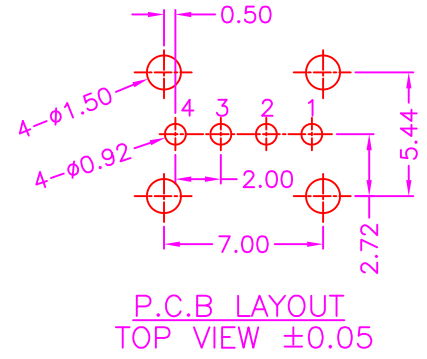
**PART NUMBER:**  
**BUSAU - 0 4 \* T \* - 1 1 4 \***

SERIES — NO. OF POS. — CONTACT PLATED OPTION — HOUSING COLOR OPTION — TRAY PACKAGE — HOUSING OPTION — TIN PLATING ON SOLDER TAIL

CONTACT PLATED OPTION:  
 1: GOLD FLASH  
 3: 3u" GOLD  
 5: 5u" GOLD  
 6: 10u" GOLD  
 7: 15u" GOLD  
 9: 30u" GOLD

HOUSING COLOR OPTION:  
 BLANK: BLACK  
 W: WHITE

HOUSING OPTION:  
 BLANK: PBT  
 L: LCP



TOLERANCES	
X.±0.40	.XX±0.20
.X±0.30	.XXX±0.10

REV.	A	DRAWN BY	Frank 2018/7/6	TITLE	USB A TYPE, PCB MOUNT, UPRIGHT, METAL SHIELD, FEMALE				
		APPROVED BY	Lion 2018/7/6	DRAW NO.	BUSAU-004	UNIT	MM	Sheet	1/1