

A

B

C

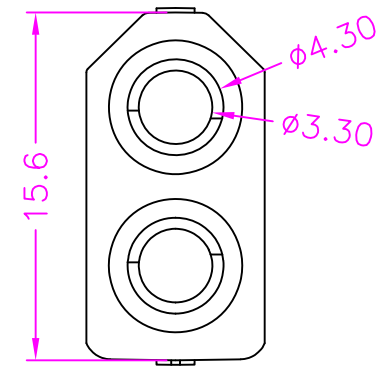
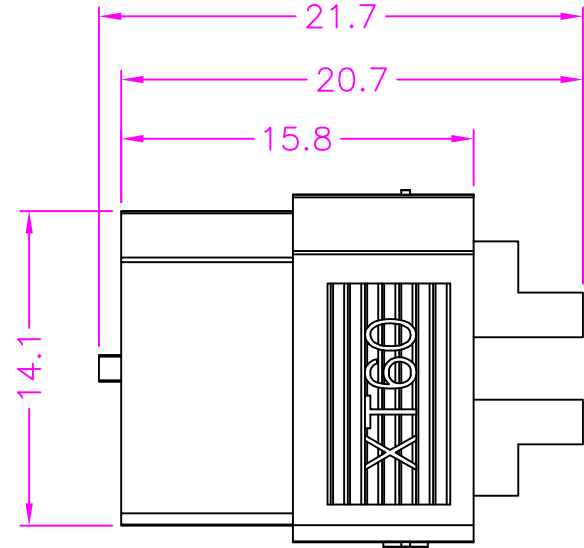
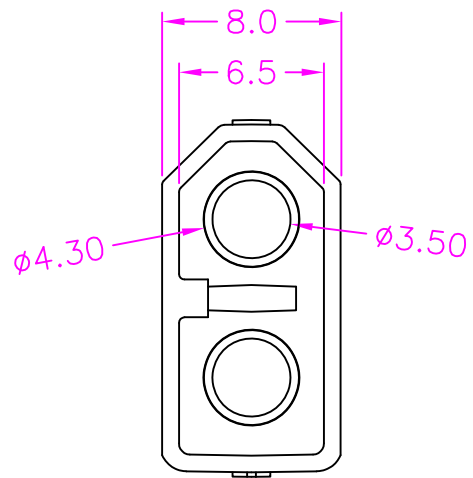
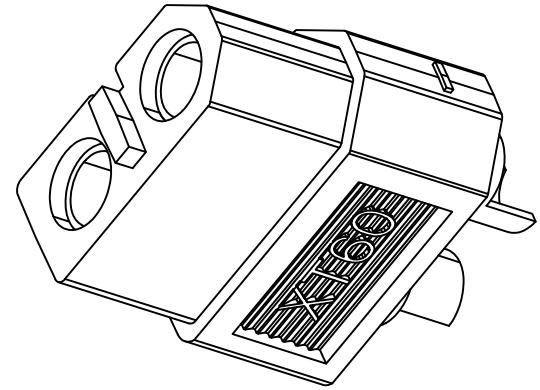
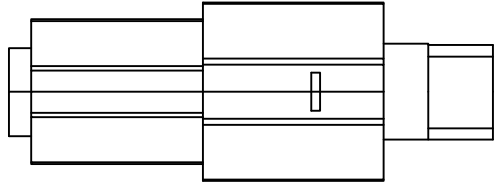
D

A

B

C

D



MATERIALS

HOUSING: NYLON 66 (UL 94V-0), YELLOW
 TERMINAL: COPPER ALLOY, GOLD PLATED

SPECIFICATION

CURRENT RATING: 30 AMP MAX
 OPERATION TEMPERATURE: -20°C~+120°C
 APPLICABLE: AWG #12

PART NUMBER:

APPXJ - * - 2 4 2

SERIES

BAG PACKAGE

CONTACT PLATED OPTION

- 1: GOLD FLASH
- 3: 3u" GOLD
- 5: 5u" GOLD
- 6: 10u" GOLD
- 9: 30u" GOLD



TOLERANCES	
X.±0.40	.XX±0.20
.X±0.30	.XXX±0.10

REV.	A	DRAWN BY	Zhong 2018/7/30	TITLE	POWER PIN, XT60 PLUG, PCB MOUNT, VERTICAL				
		APPROVED BY	Lion 2018/7/30	DRAW NO.	APPXJ-002	UNIT	MM	Sheet	1/1