

- PAD AREA
- KEEP OUT AREA
- NO COPPER AREA (NO TRACE & VIA & GND)
- GND PATTERN ONLY

P.C.B LAYOUT
TOP VIEW ±0.05

MATERIALS

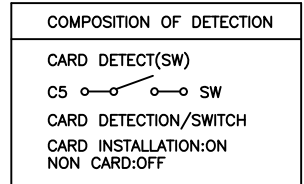
HOUSING: LCP (UL 94V-0), BLACK
 SHELL: STAINLESS STEEL, NICKEL PLATING
 SOLDER PAD: STAINLESS STEEL, GOLD FLASH
 TERMINAL: COPPER ALLOY, GOLD PLATING

SPECIFICATION

CURRENT RATING: 0.5 AMP MAX
 DIELECTRIC WITHSTANDING: 500V AC FOR ONE MINUTE
 CONTACT RESISTANCE: 100m OHMS MAX
 INSULATION RESISTANCE: 1000M OHMS MIN AT DC 500V
 OPERATION TEMPERATURE: -40°C~+85°C

INFORMATION

COMPATIBLE NANO SIM TRAY DRAWING NO: ZMMCRG-001

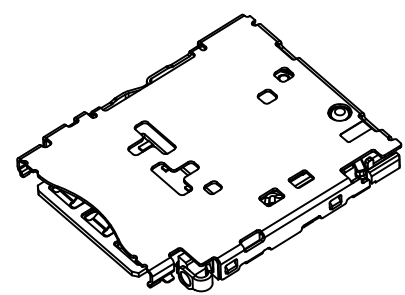
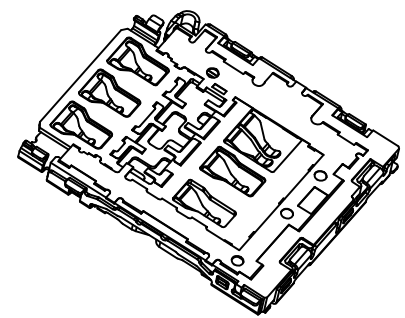


PART NUMBER:
MMCRG - 0 7 * - 1 2 1

SERIES ——— NO. OF POS. ——— TAPE REEL PACKAGE

CONTACT PLATED OPTION

1: GOLD FLASH
 3: 3u" GOLD
 5: 5u" GOLD
 6: 10u" GOLD
 7: 15u" GOLD
 9: 30u" GOLD



SIM PIN ASSIGNMENT	
PIN	Name
C1	VCC
C2	RST
C3	CLK
C5	GND
SW	CD/SW
C6	VPP
C7	DATA



TOLERANCES

X.±0.40	.XX±0.20
.X±0.30	.XXX±0.10

REV.	A	DRAWN BY	Zhong 2018/3/31	TITLE	NANO SIM CARD, 7PIN, PCB MOUNT, SMT, METAL SHIELD, TRAY TYPE WITH SWITCH, FEMALE H=1.50mm				
		APPROVED BY	Lion 2018/3/31	DRAW NO.	MMCRG-001	UNIT	MM	Sheet	1/1