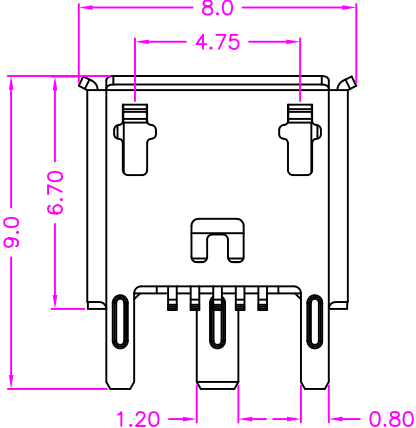
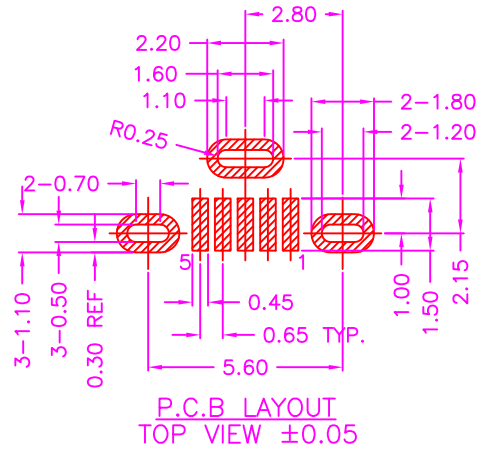
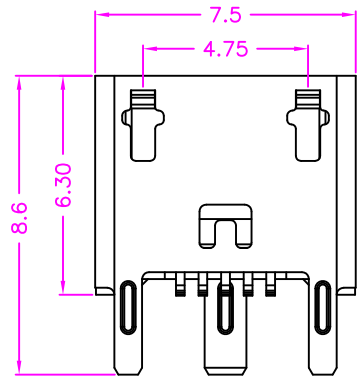


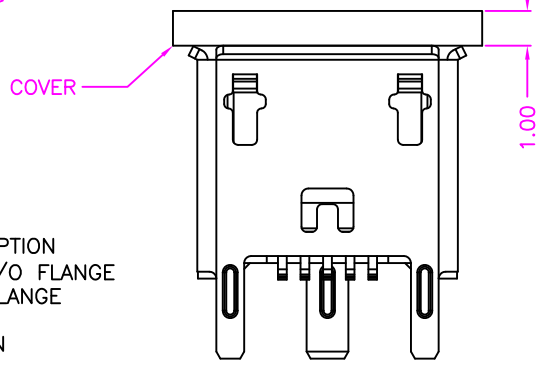
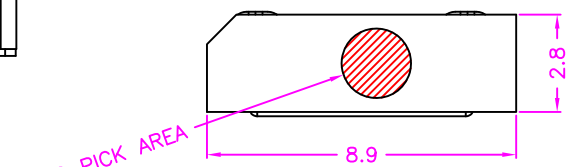
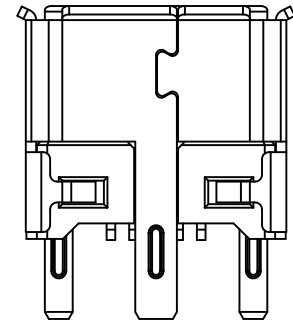
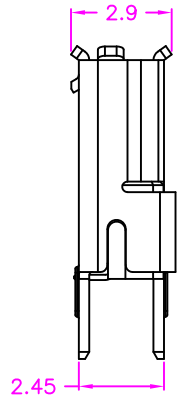
CONTACT NUMBER	SIGNAL NAME
PIN 1	VCC
PIN 2	D-
PIN 3	D+
PIN 4	ID
PIN 5	GND



WITH FLANGE



W/O FLANGE



MATERIALS

HOUSING: HI-TEMP. PLASTIC (UL 94V-0), BLACK
 CAP: HI-TEMP. PLASTIC (UL 94V-0), BLACK
 SHELL: STAINLESS STEEL, TIN PLATING
 TERMINAL: COPPER ALLOY, GOLD PLATED

SPECIFICATION

CURRENT RATING: 1.8 AMP MAX (ONLY PIN 1, 5), OTHER 1 AMP MAX
 DIELECTRIC WITHSTANDING: 250V AC FOR ONE MINUTE
 CONTACT RESISTANCE: 50m OHMS MAX
 INSULATION RESISTANCE: 100M OHMS MIN AT DC 500V
 OPERATION TEMPERATURE: -40°C~+85°C

PART NUMBER:

BUSTJ - 0 5 * - 1 * 1 *

- SERIES
- NO. OF POS.
- CONTACT PLATED OPTION
 - 1: GOLD FLASH
 - 3: 3u" GOLD
 - 5: 5u" GOLD
 - 6: 10u" GOLD
 - 7: 15u" GOLD
 - 9: 30u" GOLD
- FLANGE OPTION
 - BLANK: W/O FLANGE
 - F: WITH FLANGE
- PACKAGE OPTION
 - 1. TRAY
 - 2. TAPE REEL (WITH CAP)



TOLERANCES	
X.±0.40	.XX±0.20
.X±0.30	.XXX±0.10

REV.	A	DRAWN BY	Zhong 2018/5/24	TITLE	MICRO USB B TYPE, PCB MOUNT, VERTICAL SMT, METAL SHIELD, FEMALE				
		APPROVED BY	Lion 2018/5/24	DRAW NO.	BUSTJ-001	UNIT	MM	Sheet	1/1