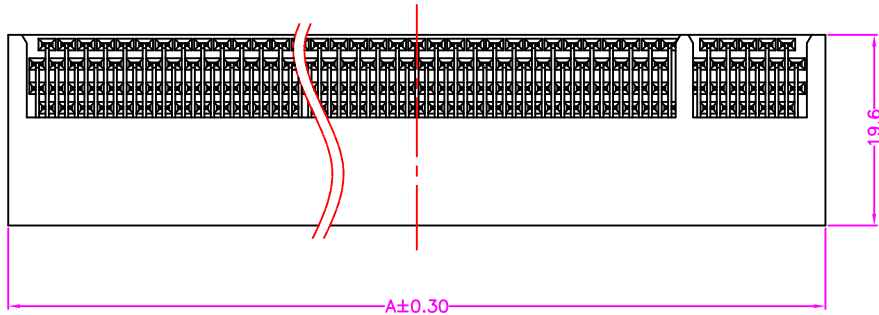


A



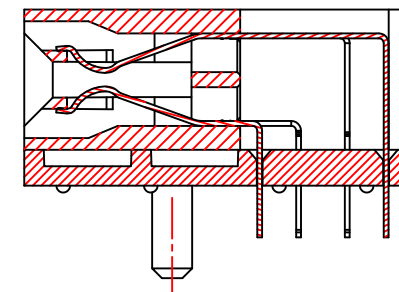
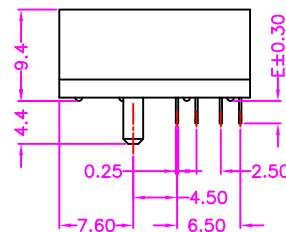
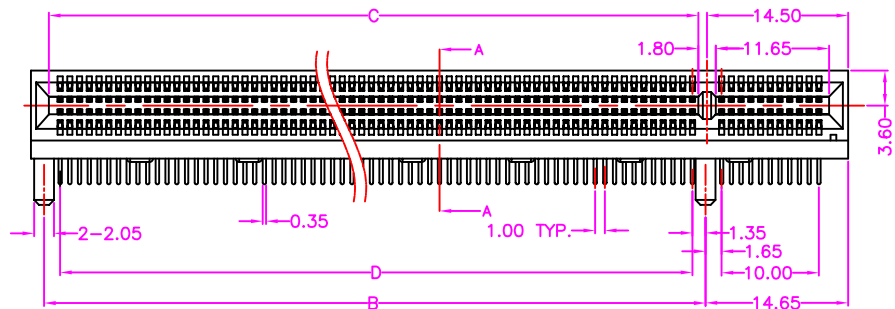
**MATERIALS**

HOUSING: HI-TEMP. PLASTIC (UL 94V-0), BLACK  
 TERMINAL: COPPER ALLOY, GOLD PLATED ON CONTACT AREA  
 TIN PLATING ON SOLDER TAIL

**SPECIFICATION**

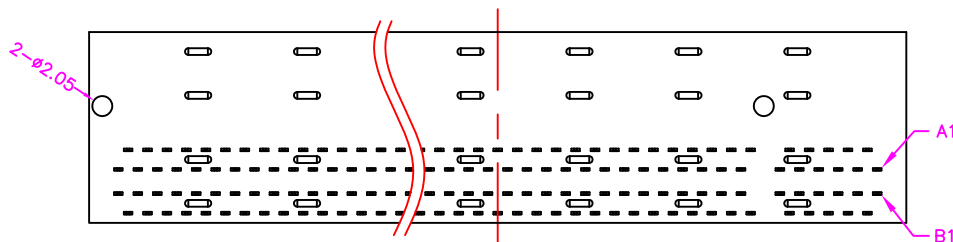
CURRENT RATING: 1.1 AMP MAX  
 DIELECTRIC WITHSTANDING: 500V AC FOR ONE MINUTE  
 CONTACT RESISTANCE: 30m OHMS MAX  
 INSULATION RESISTANCE: 1000M OHMS MIN AT DC 500V  
 OPERATION TEMPERATURE:  $-55^{\circ}\text{C} \sim +105^{\circ}\text{C}$

B



SECTION A-A

C



**PART NUMBER:**

MCEEJ - \* \* \* \* T - 1 1 1 \*

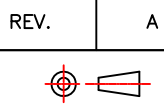
SERIES ————  
 NO. OF POS. ————  
 REF. TABLE ————  
 CONTACT PLATED OPTION ————  
 1: GOLD FLASH  
 3: 3u" GOLD  
 5: 5u" GOLD  
 6: 10u" GOLD  
 7: 15u" GOLD  
 9: 30u" GOLD

"E" LENGTH OPTION  
 1: 2.30mm  
 2: 3.10mm

TRAY PACKAGE  
 TIN PLATING ON SOLDER TAIL



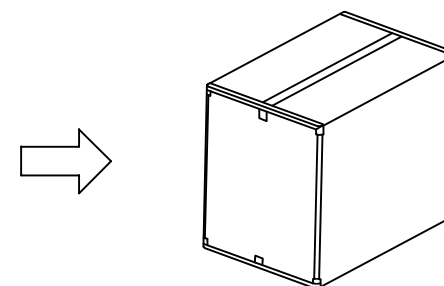
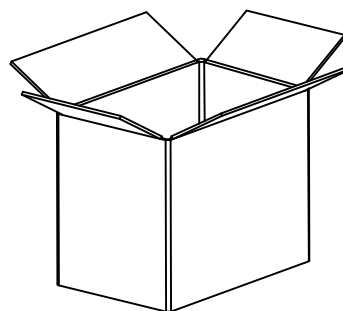
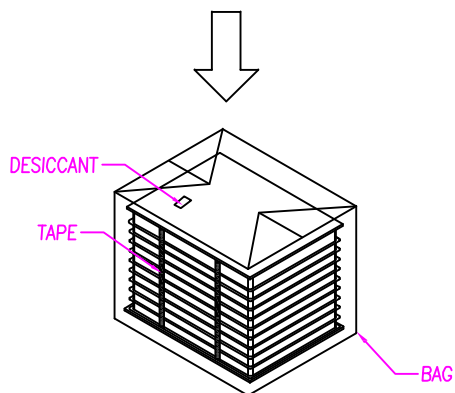
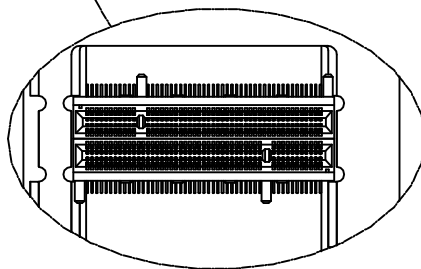
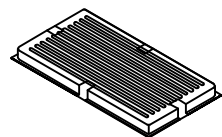
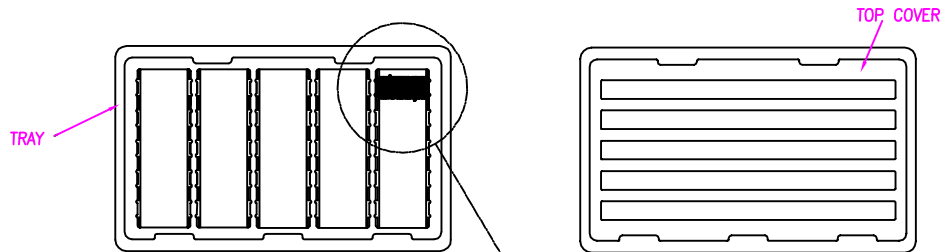
TOLERANCES	
X. $\pm 0.40$	.XX $\pm 0.20$
.X $\pm 0.30$	.XXX $\pm 0.10$



DRAWN BY Zhong 2018/9/20  
 APPROVED BY Lion 2018/9/20

TITLE	PCI EXPRESS, 1.00mm PITCH, PCB MOUNT, R/A FEMALE, 1 KEY, WITH POST			
DRAW NO.	MCEEJ-001	UNIT	MM	Sheet
				1/3





NOTES :

1. DIMENSION :

TRAY: 360mm(L)\*220mm(W)\*24mm(H) (FOR 36P, 64P, 98P)

530mm(L)\*220mm(W)\*24mm(H) (FOR 164P)

CARTON: 380mm(L)\*235mm(W)\*265mm(H) (FOR 36P, 64P, 98P)

550mm(L)\*240mm(W)\*265mm(H) (FOR 164P)

TABLE

	36P	64P	98P	164P
Tray	100 Pcs	50 Pcs	50 Pcs	50 Pcs
Carton	1000 Pcs	500 Pcs	500 Pcs	500 Pcs
Net Weight	5.2 Kg	3.75 Kg	5.0 Kg	7.5 Kg
Gross Weight	6.7 Kg	5.25 Kg	6.5 Kg	10.0 Kg