

MATERIALS

HOUSING: HI-TEMP. PLASTIC (UL 94V-0), BLACK
 SHELL: STAINLESS STEEL, NICKEL PLATING
 PAD: STAINLESS STEEL, GOLD FLASH
 TERMINAL: COPPER ALLOY, GOLD PLATED ON CONTACT AREA
 TIN PLATING ON SOLDER TAIL

SPECIFICATION

CURRENT RATING: 0.5 AMP MAX
 DIELECTRIC WITHSTANDING: 500V AC FOR ONE MINUTE
 CONTACT RESISTANCE: 60m OHMS MAX
 INSULATION RESISTANCE: 1000M OHMS MIN AT DC 500V
 OPERATION TEMPERATURE: -40°C~+85°C

PART NUMBER:

MMCFD - 1 3 * T - 1 2 3

SERIES ——— NO. OF POS. ——— TAPE REEL PACKAGE ———
 TIN PLATING ON SOLDER TAIL ———

CONTACT PLATED OPTION

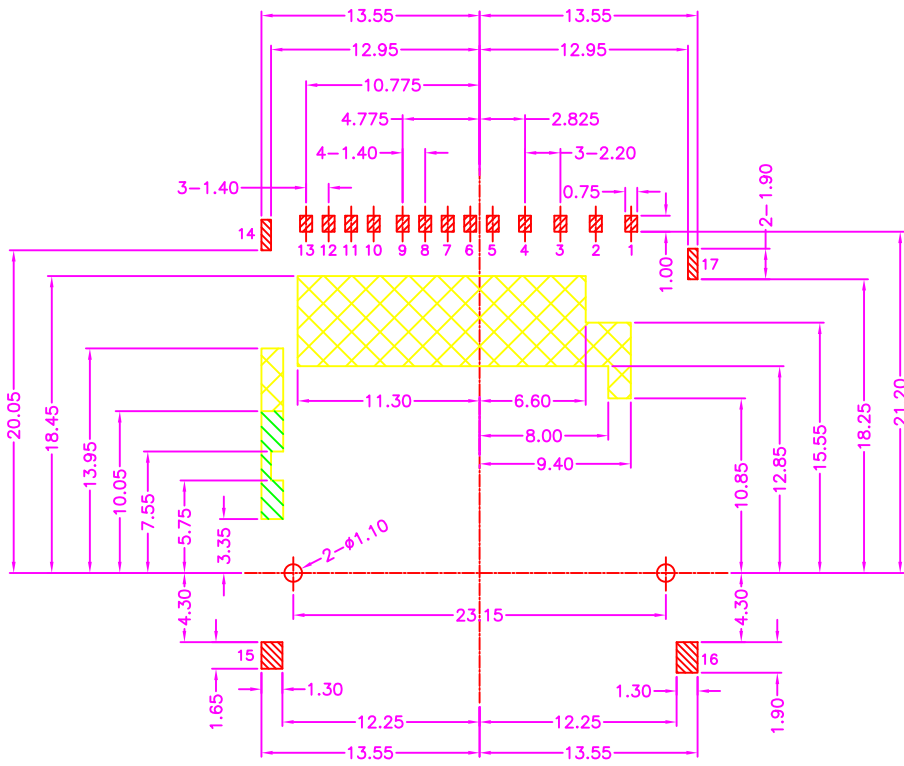
- 1: GOLD FLASH
- 3: 3u" GOLD
- 5: 5u" GOLD
- 6: 10u" GOLD
- 7: 15u" GOLD
- 9: 30u" GOLD



TOLERANCES	
X.±0.40	.XX±0.20
.X±0.30	.XXX±0.10

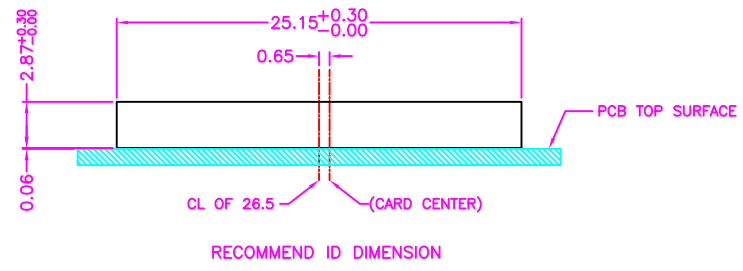
REV.	A	DRAWN BY	Zhong 2018/10/15	TITLE	SD CARD SOCKET, PCB MOUNT, SMT, METAL SHIELD PUSH-PUSH TYPE, H=2.85mm				
		APPROVED BY	Lion 2018/10/15	DRAW NO.	MMCFD-003	UNIT	MM	Sheet	1/3

DRAW NO.	MMCFD-003	UNIT	MM	Sheet	1/3
----------	-----------	------	----	-------	-----



P.C.B. LAYOUT
TOP VIEW ±0.05

- PAD AREA
- KEEP OUT AREA
- NO COPPER AREA (NO TRACE /VIA /GND)
- GND PATTERN ONLY



	WRITE PROTECT SWITCH		CARD DETECT SWITCH
	WRITE PROTECT POSITION	WRITE ENABLE POSITION	
CARD UN INSERTION	OPEN		OPEN
CARD HALF INSERTION	CLOSE		OPEN
CARD INSERTION	OPEN	CLOSE	CLOSE
N/O			

NO.	PIN #	FUNCTION
1	PIN1	DAT2
2	PIN2	CD/DAT3
3	PIN3	CMD
4	PIN4	VSS
5	PIN5	VSS
6	PIN6	VDD
7	PIN7	CLD
8	PIN8	CARD DETECT
9	PIN9	VSS
10	PIN10	DAT0
11	PIN11	DAT1
12	PIN12	WRITE PROTECT(VSS)
13	PIN13	WRITE PROTECT(VDD)
14	PIN14	GND
15	PIN15	GND
16	PIN16	GND
17	PIN17	GND



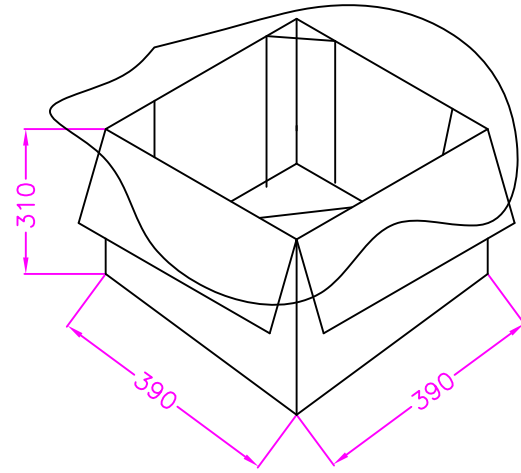
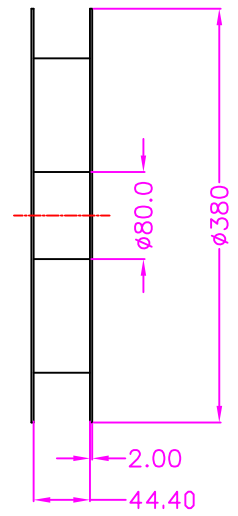
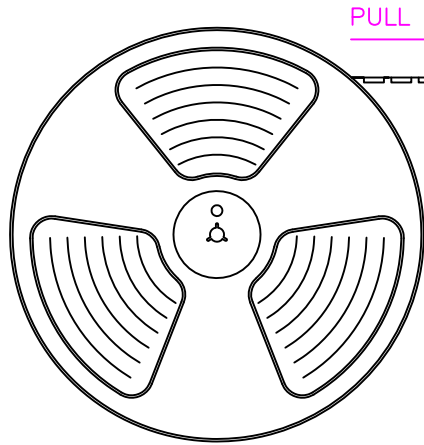
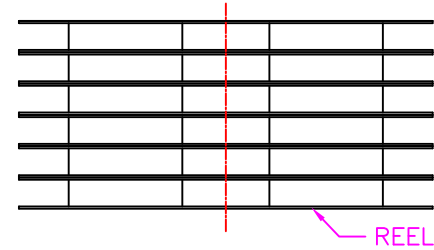
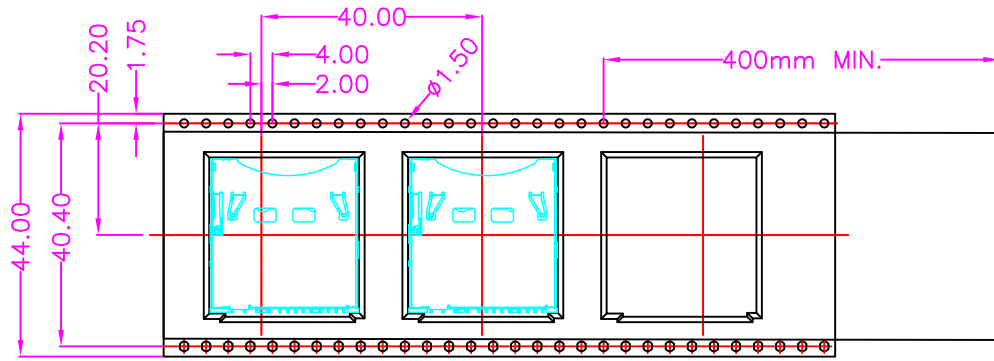
TOLERANCES

X.±0.40	.XX±0.20
.X±0.30	.XXX±0.10

REV.	A

DRAWN BY	Zhong 2018/10/15
APPROVED BY	Lion 2018/10/15

TITLE	SD CARD SOCKET, PCB MOUNT, SMT, METAL SHIELD PUSH-PUSH TYPE, H=2.85mm				
DRAW NO.	MMCFD-003	UNIT	MM	Sheet	2/3



NOTE: 550PCS/ REEL, 3300PCS/ 6 REEL/ CARTON