

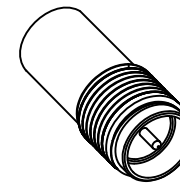
PART NUMBER:
 RSABE - 5 * 1 - 1 4 2 *

SERIES — 50 OHM — BAG PACKAGE

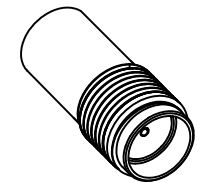
PIN OPTION
 BLANK: FEMALE PIN
 M: MALE PIN

CONTACT PLATED OPTION

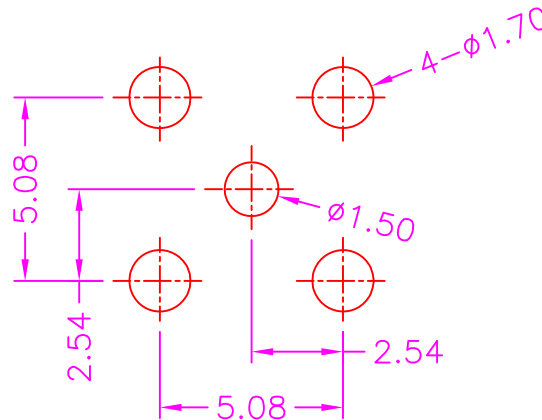
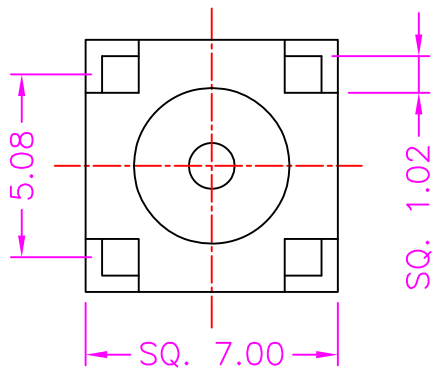
- 1: GOLD FLASH
- 3: 3u" GOLD
- 5: 5u" GOLD
- 6: 10u" GOLD
- 9: 30u" GOLD



MALE PIN



FEMALE PIN



P.C.B. LAYOUT
 TOP VIEW ±0.05

MATERIALS

HOUSING: TEFLON (UL 94V-0), WHITE
 SHELL: COPPER ALLOY, GOLD PLATING
 TERMINAL: COPPER ALLOY, GOLD PLATED