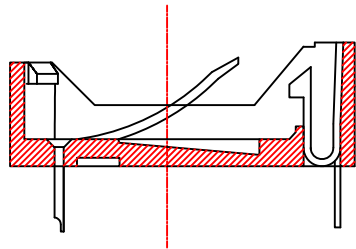
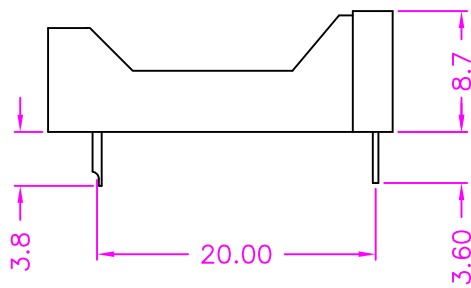


**MATERIALS**

HOUSING: THERMOPLASTIC (UL 94V-0), BLACK  
 TERMINAL: COPPER ALLOY, TIN PLATED

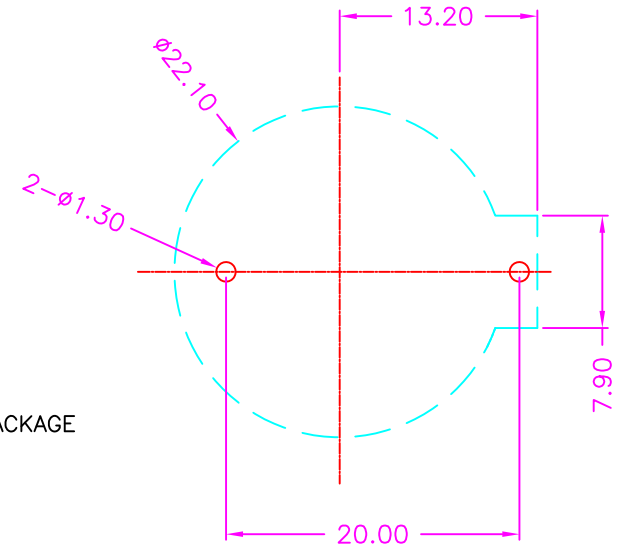
**SPECIFICATION**

CURRENT RATING: 1.5 AMP MAX  
 DIELECTRIC WITHSTANDING: 500V AC FOR ONE MINUTE  
 CONTACT RESISTANCE: 50m OHMS MAX  
 INSULATION RESISTANCE: 1000M OHMS MIN AT DC 500V  
 OPERATION TEMPERATURE: -40°C~+85°C



SECTION A-A

PART NUMBER:  
 ABRBC - T - 0 5 2  
 SERIES ————— BOX PACKAGE  
 TIN PLATING ON TERMINAL ———



P.C.B LAYOUT  
 TOP VIEW ±0.05

REV.	A	DRAWN BY	Zhong 2019/3/27	TITLE	BATTERY HOLDER, DIP, ALL PLASTIC WITH POST, CR2032				
		APPROVED BY	Lion 2019/3/27	DRAW NO.	ABRBC-002	UNIT	MM	Sheet	1/1