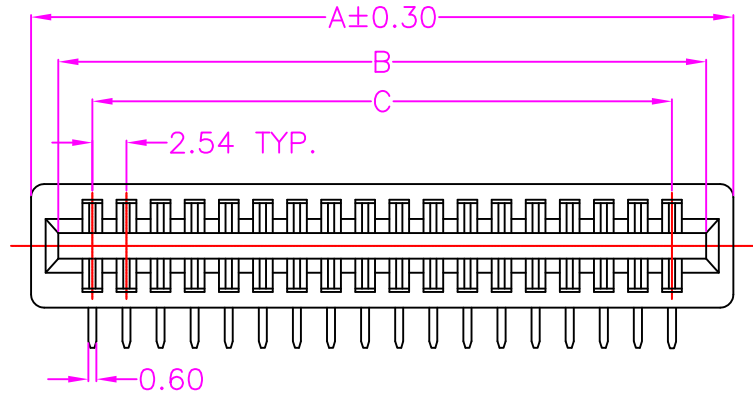


A



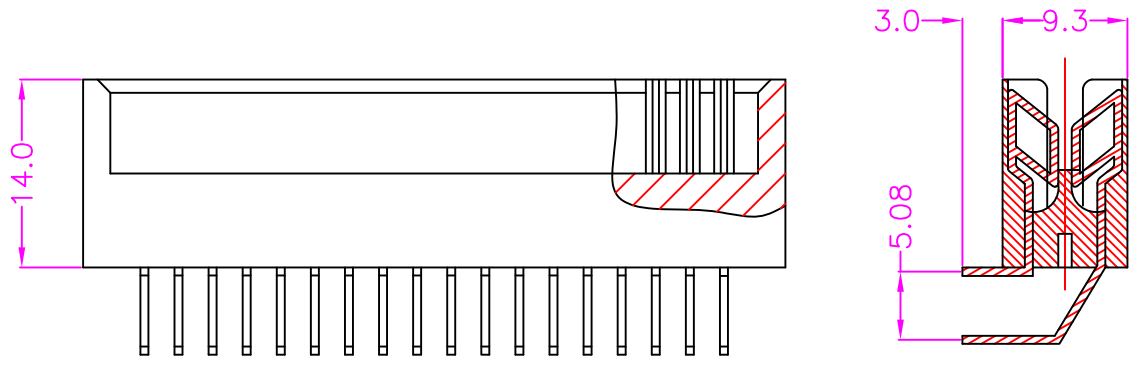
MATERIALS

HOUSING: PBT (UL 94V-0)
 TERMINAL: COPPER ALLOY, GOLD PLATED ON CONTACT AREA
 TIN PLATING ON SOLDER TAIL

SPECIFICATION

CURRENT RATING: 3 AMP MAX
 DIELECTRIC WITHSTANDING: 1000V AC FOR ONE MINUTE
 CONTACT RESISTANCE: 20m OHMS MAX
 INSULATION RESISTANCE: 5000M OHMS MIN AT DC 500V
 OPERATION TEMPERATURE: -55°C~+85°C

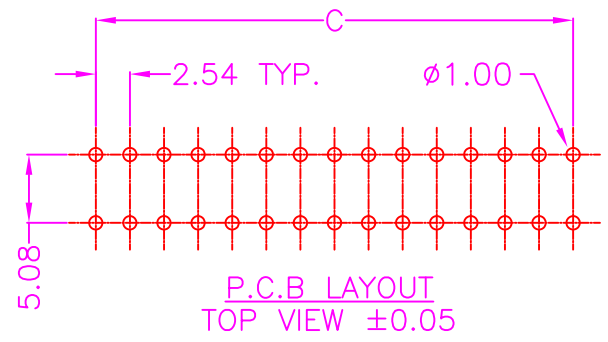
B



TABLE

POS	A	B	C	POS	A	B	C
06	14.22	10.66	5.08	40	57.40	53.84	48.26
08	16.76	13.20	7.62	42	59.94	56.38	50.80
10	19.30	15.74	10.16	44	62.48	58.92	53.34
12	21.84	18.28	12.70	46	65.02	61.46	55.88
14	24.38	20.82	15.24	48	67.56	64.00	58.42
16	26.92	23.36	17.78	50	70.10	66.54	60.96
18	29.46	25.90	20.32	52	72.64	69.08	63.50
20	32.00	28.44	22.86	54	75.18	71.62	66.04
22	34.54	30.98	25.40	56	77.72	74.16	68.58
24	37.08	33.52	27.94	58	80.26	76.70	71.12
26	39.62	36.06	30.48	60	82.80	79.24	73.66
28	42.16	38.60	33.02	62	85.34	81.78	76.20
30	44.70	41.14	35.56	64	87.88	84.32	78.74
32	47.24	43.68	38.10	66	90.42	86.86	81.28
34	49.78	46.22	40.64	68	92.96	89.40	83.82
36	52.32	48.76	43.18	70	95.50	91.94	86.36
38	54.86	51.30	45.72	72	98.04	94.48	88.90

C



**P.C.B LAYOUT
 TOP VIEW ±0.05**

PART NUMBER:
MCECH - * * * T - 1 5 2

SERIES — * * * BOX PACKAGE — 1 5 2
 NO. OF POS. REF. TABLE — * * * TIN PLATING ON SOLDER TAIL — T

CONTACT PLATED OPTION

- 1: GOLD FLASH
- 3: 3u" GOLD
- 5: 5u" GOLD
- 6: 10u" GOLD
- 7: 15u" GOLD
- 9: 30u" GOLD

D



TOLERANCES

X.±0.40	.XX±0.20
.X±0.30	.XXX±0.10

REV.	A	DRAWN BY	Zhong 2018/3/28	TITLE	CARD EDGE (ISA), 2.54mm PITCH, PCB MOUNT R/A END KEY, FEMALE				
		APPROVED BY	Lion 2018/3/28	DRAW NO.	MCECH-002	UNIT	MM	Sheet	1/2

UNIT	MM	Sheet	1/2
------	----	-------	-----

1

2

3

4

5

6

A

A

B

B

C

C

D

D

PACKAGE QUANTITY

PIN	PCS/CARTON	BOX/CARTON	PCS/BOX
10	3600PCS	8 BOX	450PCS
12	3200PCS	8 BOX	400PCS
16	2480PCS	8 BOX	300PCS
20	2400PCS	8 BOX	300PCS
24	1600PCS	8 BOX	200PCS
30	1200PCS	8 BOX	150PCS
36	1200PCS	8 BOX	150PCS
40	1200PCS	8 BOX	150PCS
44	800PCS	8 BOX	100PCS
48	800PCS	8 BOX	100PCS
50	800PCS	8 BOX	100PCS
56	800PCS	8 BOX	100PCS
60	800PCS	8 BOX	100PCS
62	800PCS	8 BOX	100PCS
72	656PCS	8 BOX	100PCS



TOLERANCES
X.±0.40 .XX±0.20
.X±0.30 .XXX±0.10

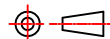
REV.

A

DRAWN BY Zhong 2018/3/28

TITLE

CARD EDGE (ISA), 2.54mm PITCH, PCB MOUNT R/A END KEY, FEMALE



APPROVED BY Lion 2018/3/28

DRAW NO.

MCECH-002

UNIT

MM

Sheet

2/2

1

2

3

4

5

6

C0165