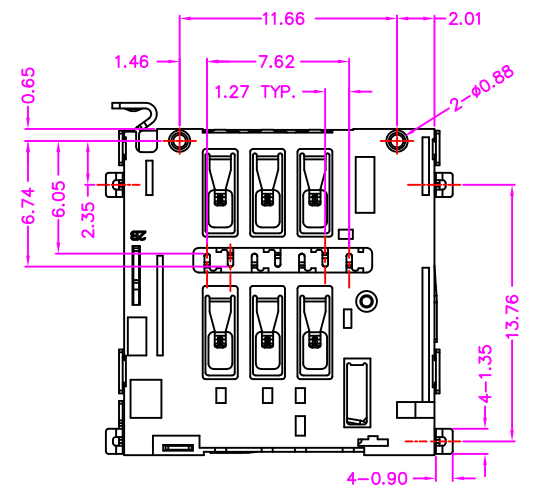
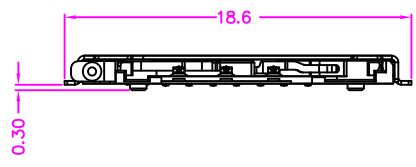
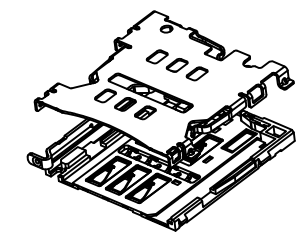
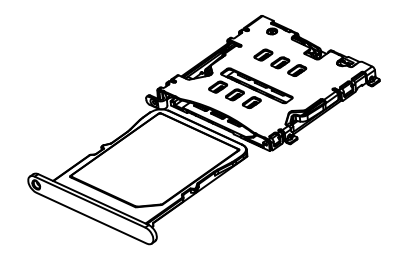
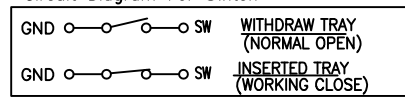


P.C.B. LAYOUT TOP VIEW ±0.05



Micro SIM CARD	
Pin No.	NAME
C1	VCC
C2	RST
C3	CLK
C5	GND
C6	VPP
C7	I/O

Circuit Diagram For Switch



MATERIALS

HOUSING: HI-TEMP. PLASTIC (UL 94V-0)
 SHELL: SUS, NICKLE PLATING
 SOLDER PAD: SUS, GOLD PLATING
 EJECTOR: SUS
 TERMINAL: COPPER ALLOY, GOLD PLATED

SPECIFICATION

CURRENT RATING: 0.5 AMP MAX
 DIELECTRIC WITHSTANDING: 500V AC FOR ONE MINUTE
 CONTACT RESISTANCE: 100m OHMS MAX
 INSULATION RESISTANCE: 1000M OHMS MIN AT DC 500V
 OPERATION TEMPERATURE: -40°C ~ +85°C

PART NUMBER:

MMCQG - 0 7 * - 1 2 2

SERIES ——— NO. OF POS. ——— TAPE REEL PACKAGE

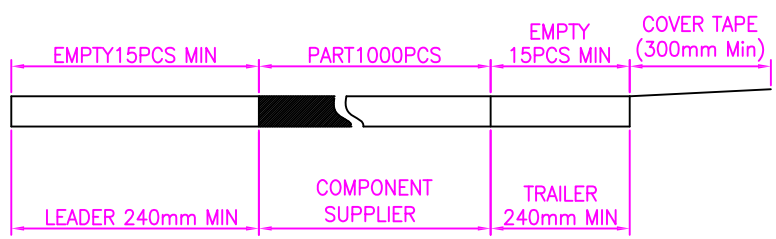
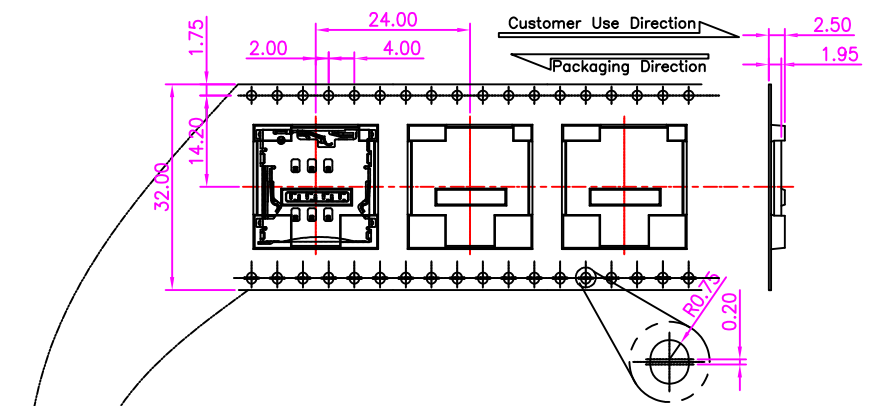
CONTACT PLATED OPTION

- 1: GOLD FLASH
- 3: 3u" GOLD
- 5: 5u" GOLD
- 6: 10u" GOLD
- 7: 15u" GOLD
- 9: 30u" GOLD

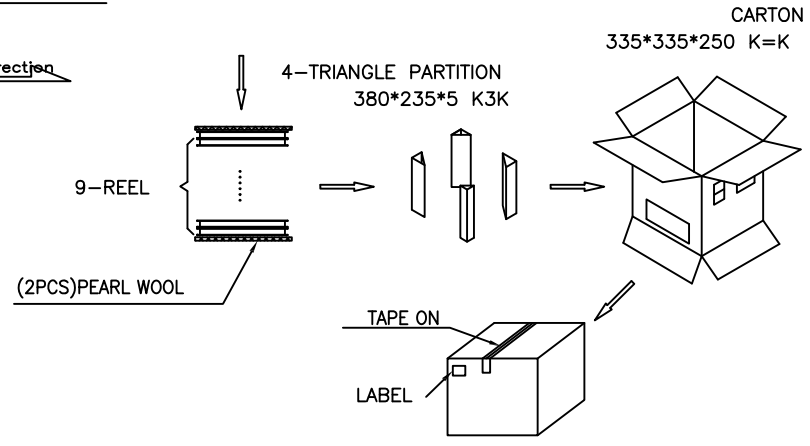
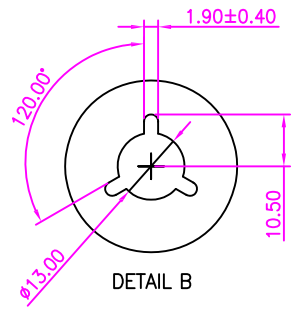
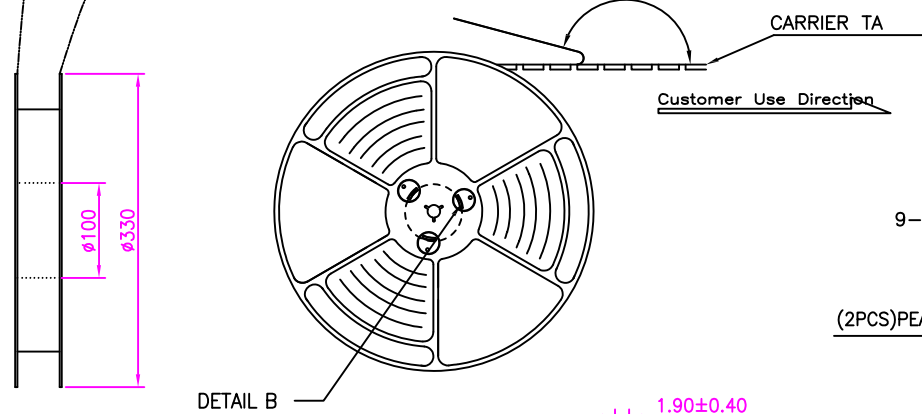


TOLERANCES	
X.±0.40	.XX±0.20
.X±0.30	.XXX±0.10

REV.	A	DRAWN BY	Zhong 2018/4/9	TITLE	MICRO SIM CARD, 7PIN, PCB MOUNT, SMT ,METAL SHIELD FEMALE, TRAY TYPE WITH SWITCH, H=1.50mm				
		APPROVED BY	Lion 2018/4/9	DRAW NO.	MMCQG-002	UNIT	MM	Sheet	1/2



COVER TAPE PEELING ANGLE: 165°~180°
PEELING FORCE: 20~130g



NOTE: 1000PCS/REEL, 9000PCS/9 REEL/CARTON