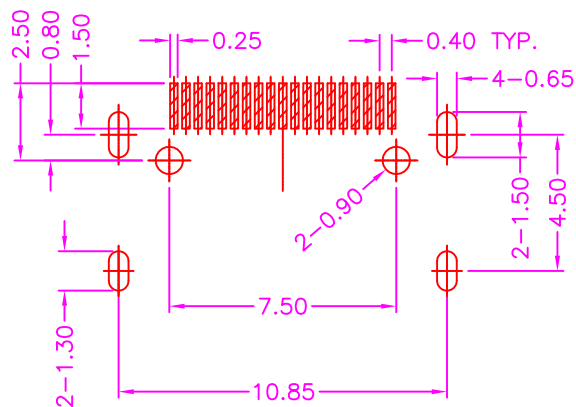
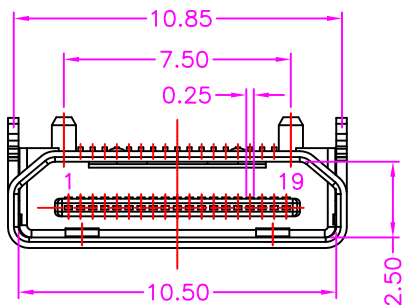


MATERIALS

HOUSING: HI-TEMP. PLASTIC (UL 94V-0), BLACK
 SHELL: COPPER ALLOY
 TERMINAL: COPPER ALLOY

SPECIFICATION

CURRENT RATING: 0.5 AMP MAX
 DIELECTRIC WITHSTANDING: 300V AC FOR ONE MINUTE
 CONTACT RESISTANCE: 30m OHMS MAX
 INSULATION RESISTANCE: 100M OHMS MIN AT DC 500V
 OPERATION TEMPERATURE: -40°C~+85°C



**P.C.B LAYOUT
 TOP VIEW ±0.05**

PART NUMBER:

BHDHE - 1 9 * * * - 1 2 1

SERIES — NO. OF POS. — CONTACT PLATED OPTION — PART NUMBER — TAPE REEL PACKAGE — SHELL PLATING OPTION — SOLDER TAIL PLATING OPTION

1: GOLD FLASH
 3: 3u" GOLD
 5: 5u" GOLD
 6: 10u" GOLD
 7: 15u" GOLD
 9: 30u" GOLD

BLANK: NICKEL
 G: GOLD
 BLANK: GOLD
 T: TIN



| TOLERANCES | |
|------------|-----------|
| X.±0.40 | .XX±0.20 |
| .X±0.30 | .XXX±0.10 |

| | | | | |
|------|---|-------------|-----------------|----------|
| REV. | A | DRAWN BY | Zhong 2019/4/19 | TITLE |
| | | APPROVED BY | Lion 2019/4/19 | DRAW NO. |

MINI HDMI C TYPE, 0.40mm PITCH, PCB MOUNT, SMT
 METAL SHIELD, FEMALE, 19PIN, WITH POST

| | | | | |
|-----------|------|----|-------|-----|
| BHDHE-001 | UNIT | MM | Sheet | 1/1 |
|-----------|------|----|-------|-----|