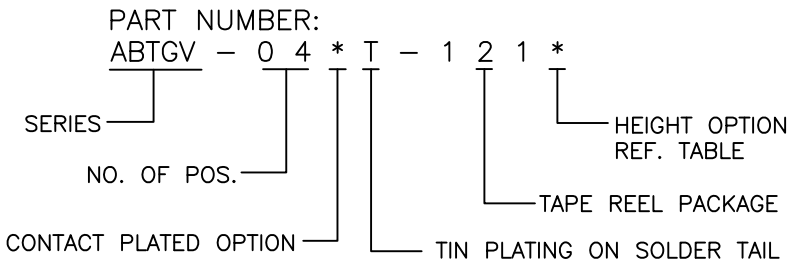
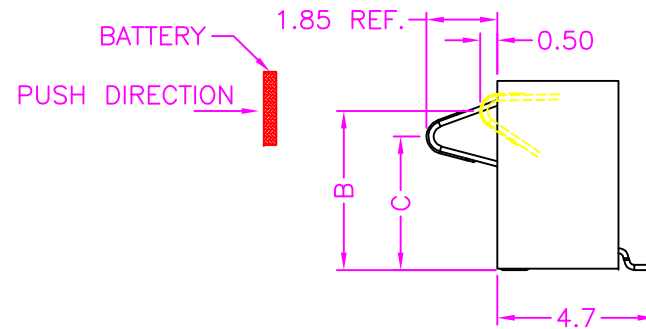
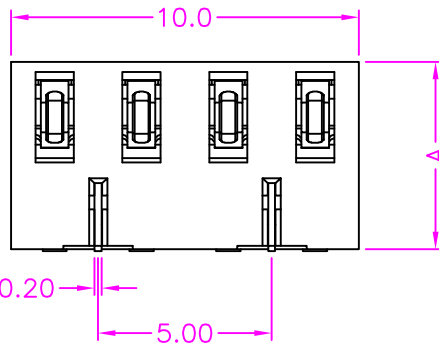


MATERIALS

HOUSING: HI-TEMP. PLASTIC (UL 94V-0), BLACK
 SOLDER PAD: COPPER ALLOY, TIN PLATING
 TERMINAL: COPPER ALLOY, GOLD PLATED ON CONTACT AREA
 TIN PLATING ON SOLDER TAIL

SPECIFICATION

CURRENT RATING: 3 AMP MAX
 DIELECTRIC WITHSTANDING: 1000V AC FOR ONE MINUTE
 CONTACT RESISTANCE: 50m OHMS MAX
 INSULATION RESISTANCE: 1000M OHMS MIN AT DC 500V
 OPERATION TEMPERATURE: -40°C~+85°C



- CONTACT PLATED OPTION
- 1: GOLD FLASH
 - 3: 3u" GOLD
 - 5: 5u" GOLD
 - 6: 10u" GOLD
 - 7: 15u" GOLD
 - 9: 30u" GOLD

TABLE

P/N	A	B	C
5	5.40	4.60	3.80
6	6.00	5.20	4.40
7	7.00	6.20	5.40

