

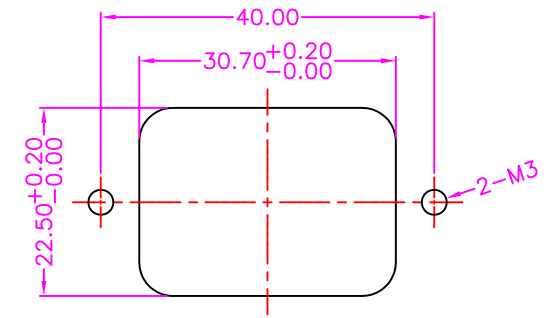
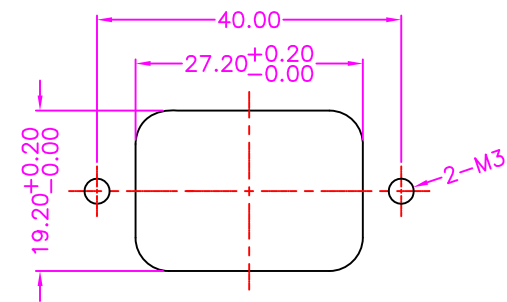
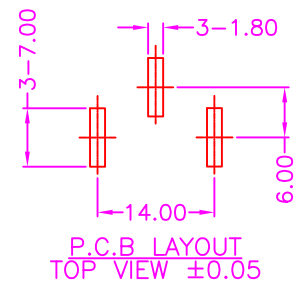
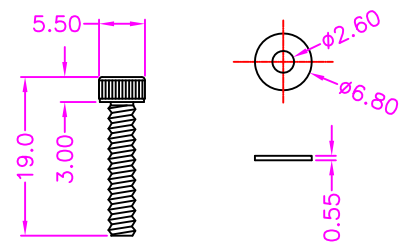
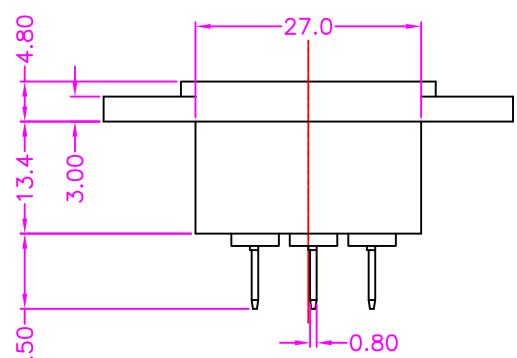
MATERIALS
 HOUSING: PBT (UL 94V-0), BLACK
 TERMINAL: COPPER ALLOY, TIN PLATED

SPECIFICATION
 CURRENT RATING: 10 AMP MAX
 OPERATION TEMPERATURE: -40°C~+70°C

PART NUMBER:
AACAB - T - 2 4 1 *

SERIES — TIN PLATING ON TERMINAL — BAG PACKAGE

SCREW & WASHER OPTION
 BLANK: WITHOUT SCREW & WASHER
 S: WITH SCREW & WASHER



TOLERANCES

X.±1.00	.XX±0.30
.X±0.50	.XXX±0.20

REV.	A	DRAWN BY	Zhong 2019/2/23	TITLE	AC POWER SOCKET, VERTICAL WITH EAR, 3PIN				
		APPROVED BY	Lion 2019/2/23	DRAW NO.	AACAB-001	UNIT	MM	Sheet	1/1

				UNIT	MM	Sheet	1/1
--	--	--	--	------	----	-------	-----