

MATERIALS

HOUSING: PBT (UL 94V-0), BLACK
 TERMINAL: COPPER ALLOY, TIN PLATED

SPECIFICATION

CURRENT RATING: 10 AMP MAX
 OPERATION TEMPERATURE: -40°C~+70°C

PART NUMBER:

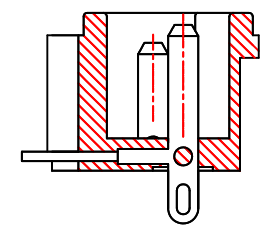
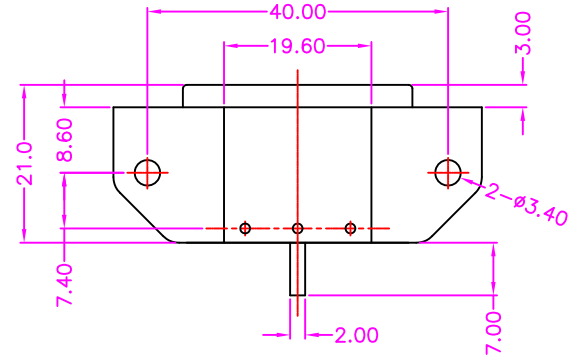
AACCB - T - 2 4 1 *

SERIES

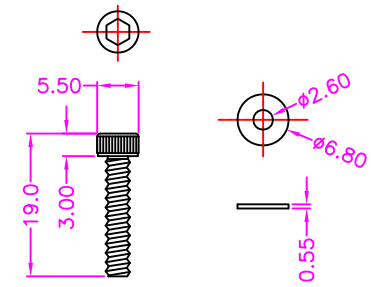
TIN PLATING ON TERMINAL

SCREW & WASHER OPTION
 BLANK: WITHOUT SCREW & WASHER
 S: WITH SCREW & WASHER

BAG PACKAGE

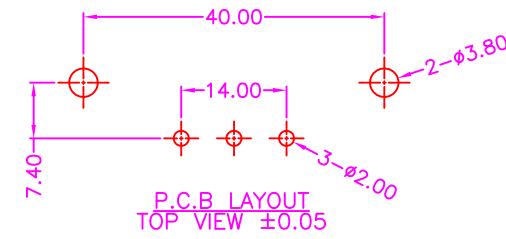
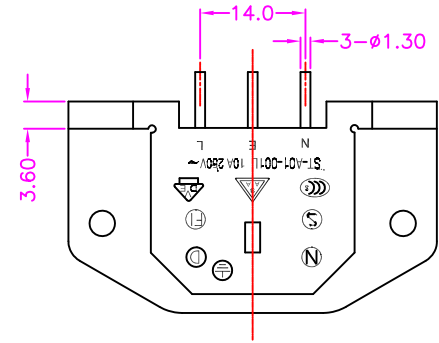


SECTION A-A

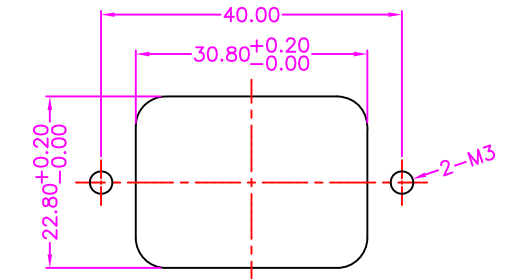


SCREW

WASHER



P.C.B LAYOUT
 TOP VIEW ±0.05



PANEL CUT OUT



TOLERANCES

X.±1.00	.XX±0.30
.X±0.50	.XXX±0.10

REV.	A	DRAWN BY	Zhong 2019/2/15	TITLE	AC POWER SOCKET, R/A WITH EAR, 3PIN				
		APPROVED BY	Lion 2019/2/15	DRAW NO.	AACCB-001	UNIT	MM	Sheet	1/1