

A

B

C

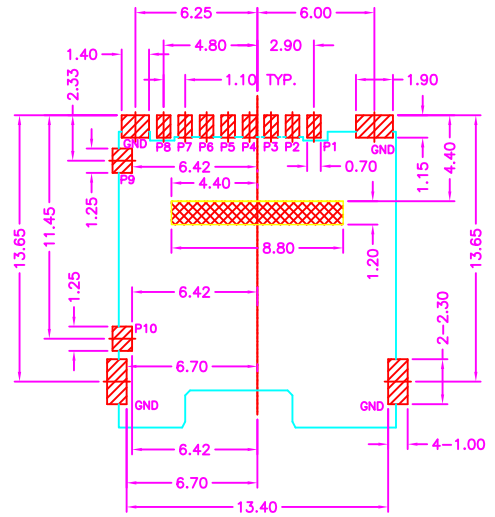
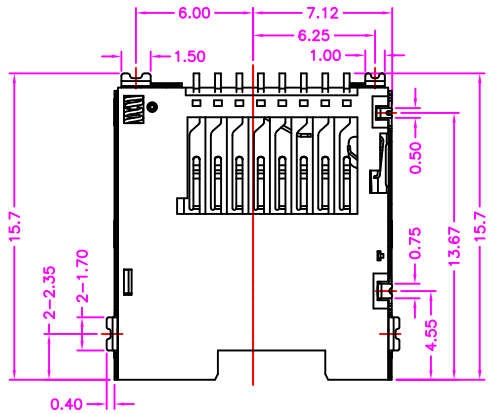
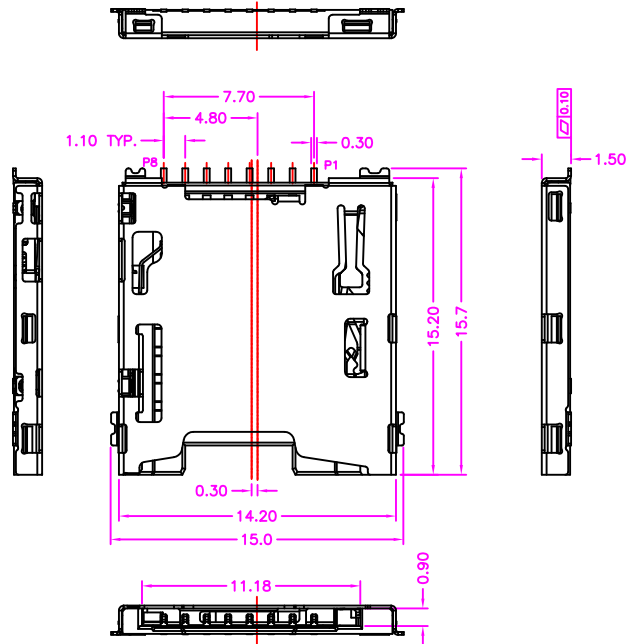
D

A

B

C

D

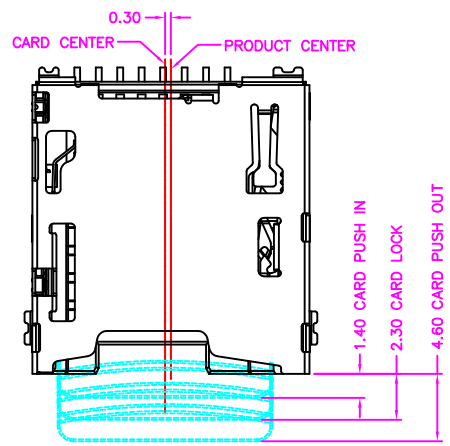


P.C.B. LAYOUT  
TOP VIEW ±0.05

▨ SOLDER AREA  
▩ KEEP OUT AREA

**MATERIALS**  
 HOUSING: HI-TEMP. PLASTIC (UL 94V-0), BLACK  
 SHELL: STAINLESS STEEL, NICKEL PLATING  
 SOLDER PAD: STAINLESS STEEL, GOLD PLATING  
 TERMINAL: COPPER ALLOY, GOLD PLATED ON CONTACT AREA  
 TIN PLATING ON SOLDER TAIL

**SPECIFICATION**  
 CURRENT RATING: 0.5 AMP MAX  
 DIELECTRIC WITHSTANDING: 500V AC FOR ONE MINUTE  
 CONTACT RESISTANCE: 100m OHMS MAX  
 INSULATION RESISTANCE: 1000M OHMS MIN AT DC 500V  
 OPERATION TEMPERATURE: -40°C~+85°C

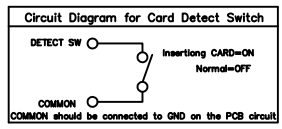


**PART NUMBER:**  
**MMCKD - 1 0 \* T - 1 2 9**

SERIES ——— NO. OF POS. ——— CONTACT PLATED OPTION ——— TAPE REEL PACKAGE ——— TIN PLATING ON SOLDER TAIL ———

- CONTACT PLATED OPTION
- 1: GOLD FLASH
  - 3: 3u" GOLD
  - 5: 5u" GOLD
  - 6: 10u" GOLD
  - 7: 15u" GOLD
  - 9: 30u" GOLD

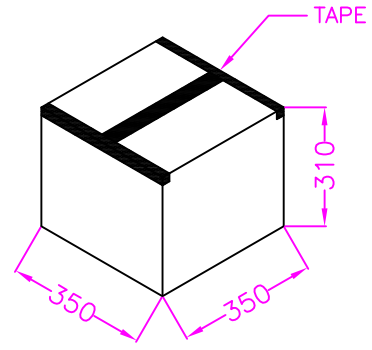
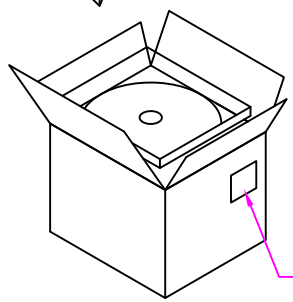
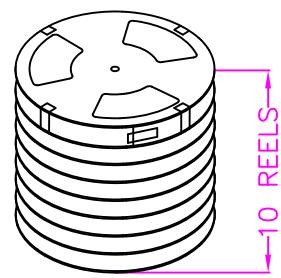
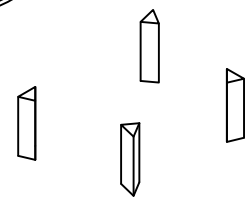
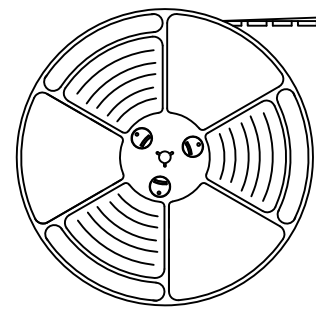
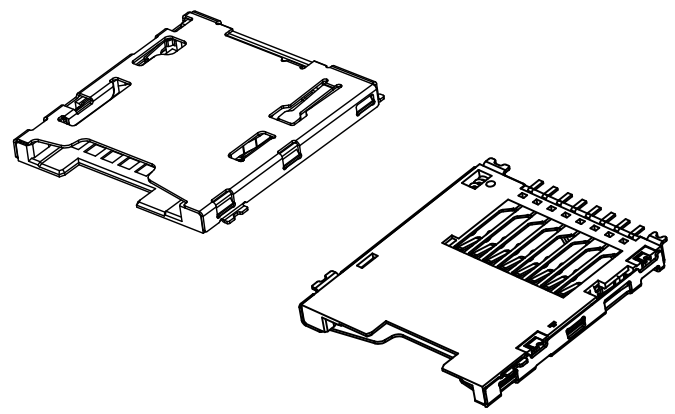
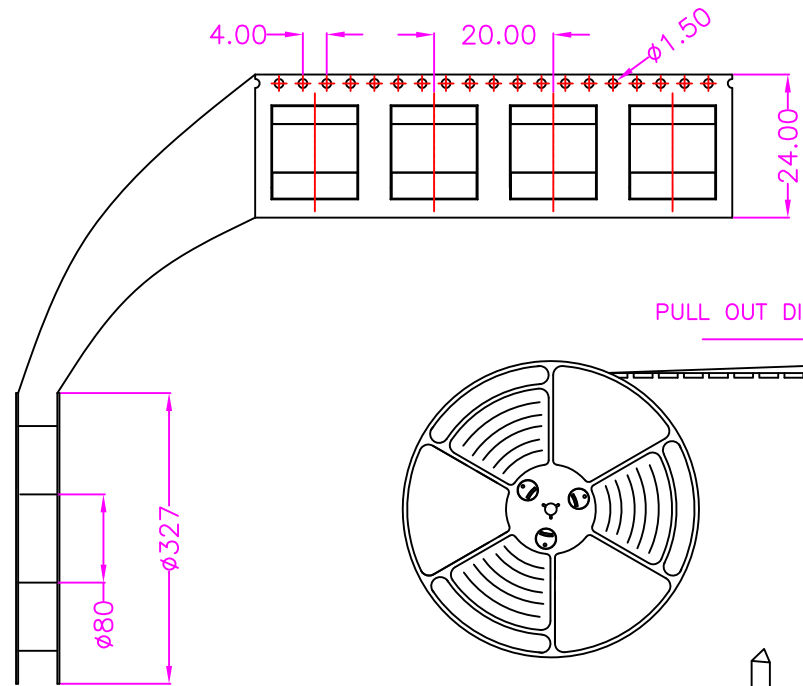
PIN NO.	discription
Pin 1	DAT2:Data line
Pin 2	CD/DAT3: card Detect/Data line
Pin 3	CMD: command/Response
Pin 4	VDD: Supply voltage
Pin 5	CLK: Clock
Pin 6	VSS: Supply voltage ground
Pin 7	DAT0: Data line
Pin 8	DAT1: Data line
Pin 9	DETECT SW(GND)
Pin 10	DETECT SW(CD)
GND	Cover GND



**TOLERANCES**

X.±0.40	.XX±0.20
.X±0.30	.XXX±0.10

REV.	A	DRAWN BY	Zhong 2019/5/29	TITLE	MICRO SD, PCB MOUNT, SMT, METAL SHIELD PUSH-PUSH TYPE H=1.50mm, FEMALE				
		APPROVED BY	Lion 2019/5/29	DRAW NO.	MMCKD-009	UNIT	MM	Sheet	1/2



NOTE: 1200PCS/ REEL, 12000PCS/ 10 REEL/ CARTON