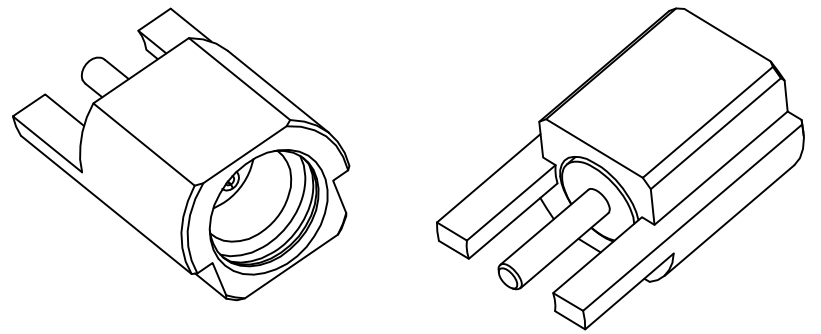
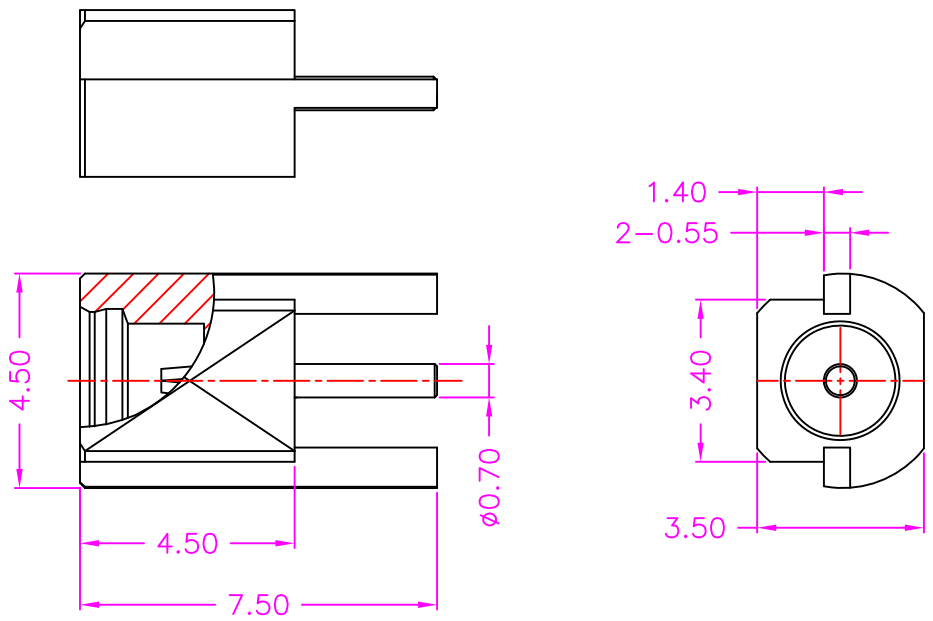


A

A



B

B

MATERIALS

HOUSING: TEFLON (UL 94V-0), WHITE
 SHELL: COPPER ALLOY, GOLD PLATING
 TERMINAL: COPPER ALLOY, GOLD PLATED

PART NUMBER:

RMMFE - 5 * 1 - 1 * 2

SERIES

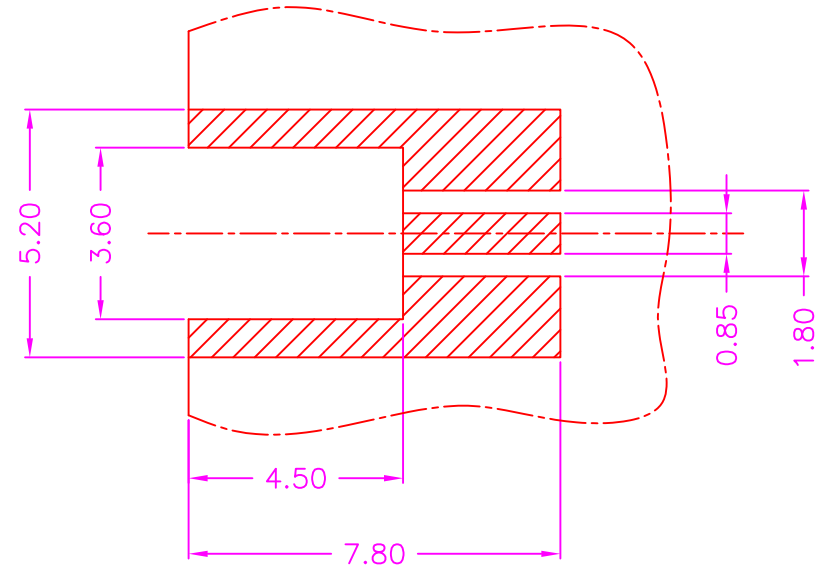
50 OHM

PACKAGE OPTION

- 1: TRAY
- 2: TAPE REEL
- 4: BAG

CONTACT PLATED OPTION

- 1: GOLD FLASH
- 3: 3u" GOLD
- 5: 5u" GOLD
- 6: 10u" GOLD
- 9: 30u" GOLD



**P.C.B LAYOUT
 TOP VIEW ±0.05**

C

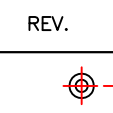
C

D

D



TOLERANCES	
X.±0.40	.XX±0.20
.X±0.30	.XXX±0.10



REV. A

DRAWN BY Zhong 2018/6/28
 APPROVED BY Lion 2018/6/28

TITLE
 DRAW NO.

MMCX, PCB MID MOUNT TYPE, SMT, WITH POST, FEMALE				
RMMFE-002	UNIT	MM	Sheet	1/1