

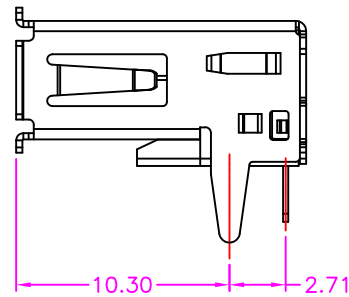
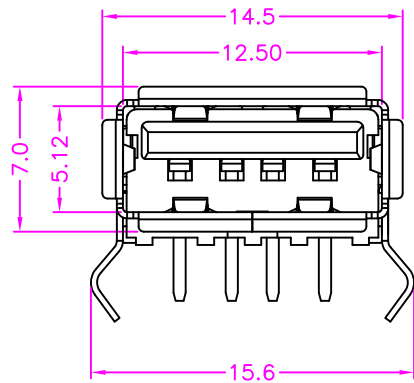
P.C.B LAYOUT
TOP VIEW ±0.05

MATERIALS

HOUSING: THERMOPLASTIC (UL 94V-0)
SHELL: SPCC OR COPPER ALLOY, NICKEL PLATING
TERMINAL: COPPER ALLOY, GOLD PLATED ON CONTACT AREA
TIN PLATING ON SOLDER TAIL

SPECIFICATION

CURRENT RATING: 1 AMP MAX
DIELECTRIC WITHSTANDING: 500V AC FOR ONE MINUTE
CONTACT RESISTANCE: 30m OHMS MAX
INSULATION RESISTANCE: 1000M OHMS MIN AT DC 500V
OPERATION TEMPERATURE: -40°C~+85°C



PART NUMBER:

BUSAC - 0 4 * T * - 1 1 2 *

SERIES ——— |
NO. OF POS. ——— |
CONTACT PLATED OPTION ——— |
HOUSING COLOR OPTION ——— |
TRAY PACKAGE ——— |
SHELL MATERIAL OPTION ——— |
TIN PLATING ON SOLDER TAIL ——— |

1: GOLD FLASH
3: 3u" GOLD
5: 5u" GOLD
6: 10u" GOLD
7: 15u" GOLD
9: 30u" GOLD

BLANK: BLACK
W: WHITE

BLANK: COPPER ALLOY
P: SPCC

