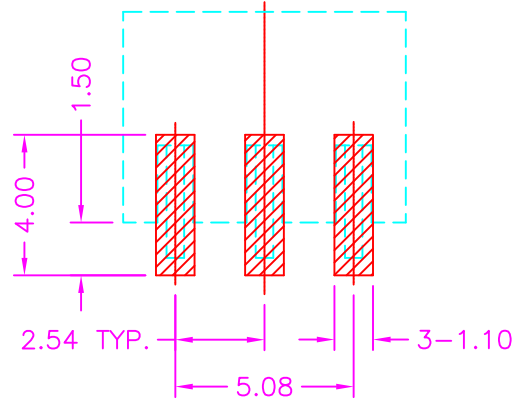
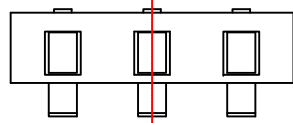
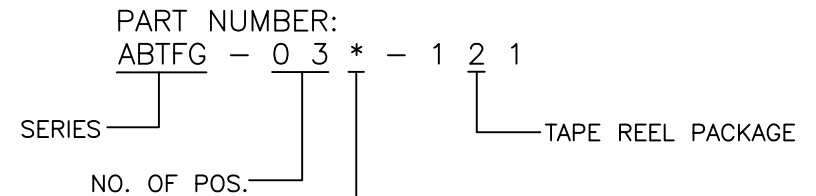
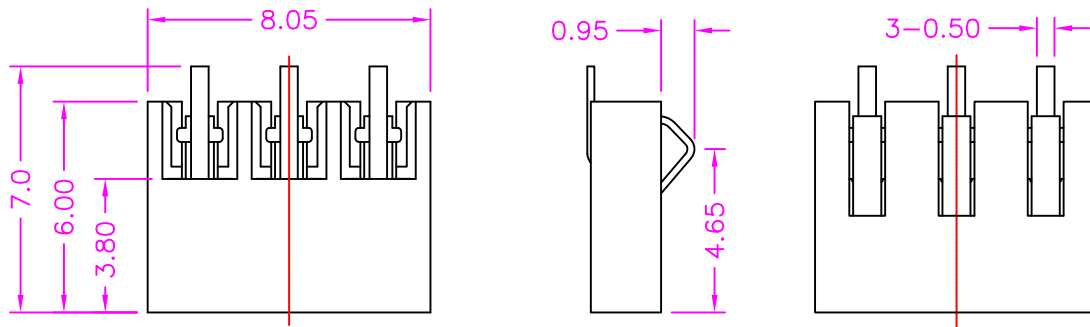


MATERIALS

HOUSING: LCP (UL 94V-0), BLACK
 TERMINAL: COPPER ALLOY, GOLD PLATED

SPECIFICATION

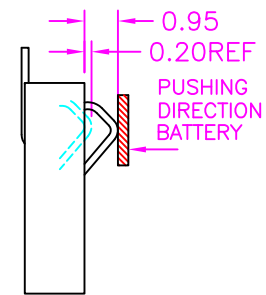
CURRENT RATING: 3 AMP MAX
 DIELECTRIC WITHSTANDING: 1000V AC FOR ONE MINUTE
 CONTACT RESISTANCE: 50m OHMS MAX
 INSULATION RESISTANCE: 1000M OHMS MIN AT DC 500V
 OPERATION TEMPERATURE: -40°C~+85°C



P.C.B LAYOUT
 TOP VIEW ±0.05

CONTACT PLATED OPTION

- 1: GOLD FLASH
- 3: 3u" GOLD
- 5: 5u" GOLD
- 6: 10u" GOLD
- 7: 15u" GOLD
- 9: 30u" GOLD



USE GUIDE



TOLERANCES

X.±0.40	.XX±0.20
.X±0.30	.XXX±0.10

REV.	A	DRAWN BY	Zhong 2019/6/24	TITLE	BATTERY, 2.54mm PITCH, PCB MOUNT, VERTICAL SMT TYPE				
		APPROVED BY	Lion 2019/6/24	DRAW NO.	ABTFG-001	UNIT	MM	Sheet	1/1