

**MATERIALS**

HOUSING: TEFLON (UL 94V-0), WHITE  
 SHELL: COPPER ALLOY, GOLD PLATING  
 TERMINAL: COPPER ALLOY, GOLD PLATED

**SPECIFICATION**

IMPEDANCE: 50 OHM  
 WORKING FREQUENCY: DC ~ 6 GHz  
 DIELECTRIC WITHSTANDING: 500V AC FOR ONE MINUTE  
 INSULATION RESISTANCE: 1000M OHMS MIN AT DC 500V  
 OPERATION TEMPERATURE: -55°C~+125°C

**PART NUMBER:**

RMMBE - 5 \* 1 - 1 \* 2

SERIES

50 OHM

CONTACT PLATED OPTION

- 1: GOLD FLASH
- 3: 3u" GOLD
- 5: 5u" GOLD
- 6: 10u" GOLD
- 9: 30u" GOLD

PACKAGE OPTION

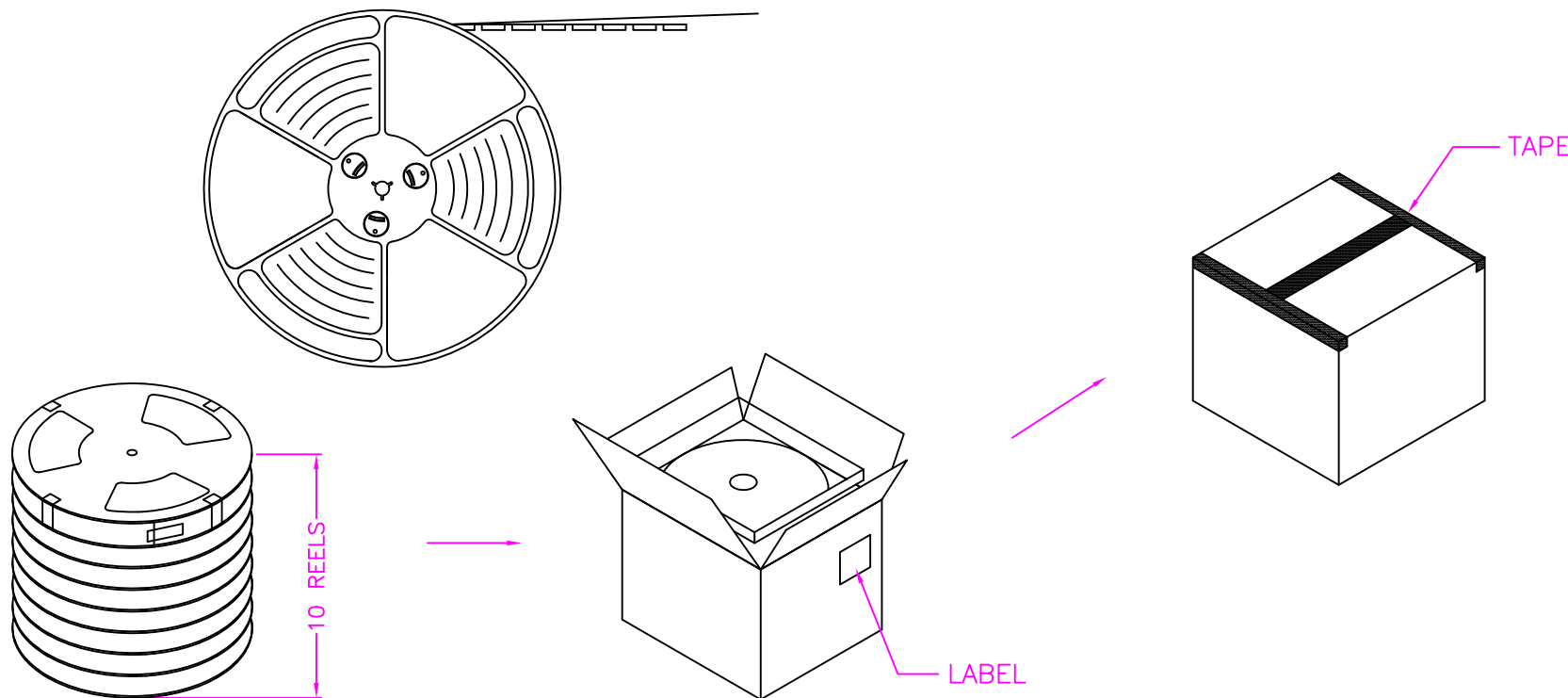
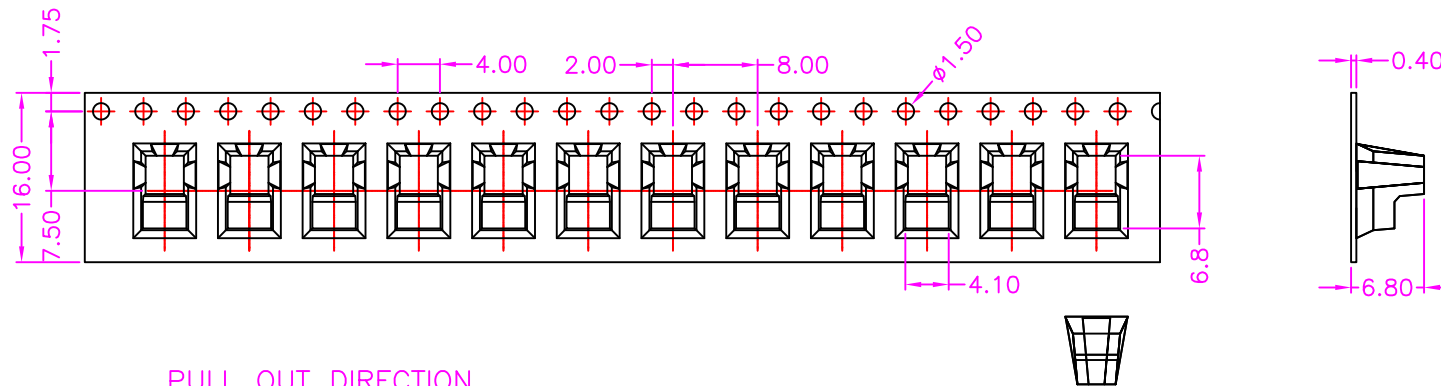
- 1: TRAY
- 2: TAPE REEL
- 4: BAG



TOLERANCES	
X.±0.40	.XX±0.20
.X±0.30	.XXX±0.10

REV.	A	DRAWN BY	Zhong 2019/3/11	TITLE
		APPROVED BY	Lion 2019/3/11	DRAW NO.

MMCX, PCB MOUNT, R/A, WITH POST, 50 OHM, FEMALE				
UNIT	MM	Sheet	1/2	



NOTE: 1200PCS/ REEL, 12000PCS/ 10 REEL/ CARTON