

P.C.B. LAYOUT  
TOP VIEW ±0.05

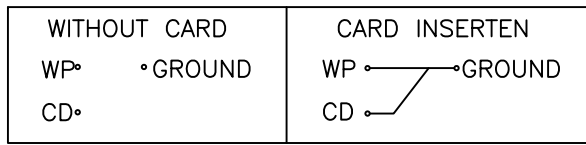
**MATERIALS**  
 HOUSING: HI-TEMP. PLASTIC (UL 94V-0), BLACK  
 SHELL: SPCC  
 SOLDER PAD: SPCC, GOLD PLATING  
 TERMINAL: COPPER ALLOY, GOLD PLATED ON CONTACT AREA  
 TIN PLATING ON SOLDER TAIL

**SPECIFICATION**  
 CURRENT RATING: 0.5 AMP MAX  
 DIELECTRIC WITHSTANDING: 500V AC FOR ONE MINUTE  
 CONTACT RESISTANCE: 100m OHMS MAX  
 INSULATION RESISTANCE: 1000M OHMS MIN AT DC 500V  
 OPERATION TEMPERATURE: -40°C~+85°C

PART NUMBER:  
**MMCKB - 1 0 \* T - 1 2 5**

SERIES — NO. OF POS. — TERMINAL PLATED OPTION — TAPE REEL PACKAGE — TIN PLATING ON SOLDER TAIL

1: GOLD FLASH  
 3: 3u" GOLD  
 5: 5u" GOLD  
 6: 10u" GOLD  
 7: 15u" GOLD  
 9: 30u" GOLD

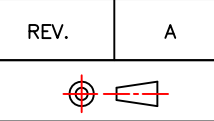


Pin No.	
PIN1	DAT2
PIN2	CD/DAT3
PIN3	CMD
PIN4	VDD
PIN5	CLK
PIN6	VSS
PIN7	DAT0
PIN8	DAT1



TOLERANCES

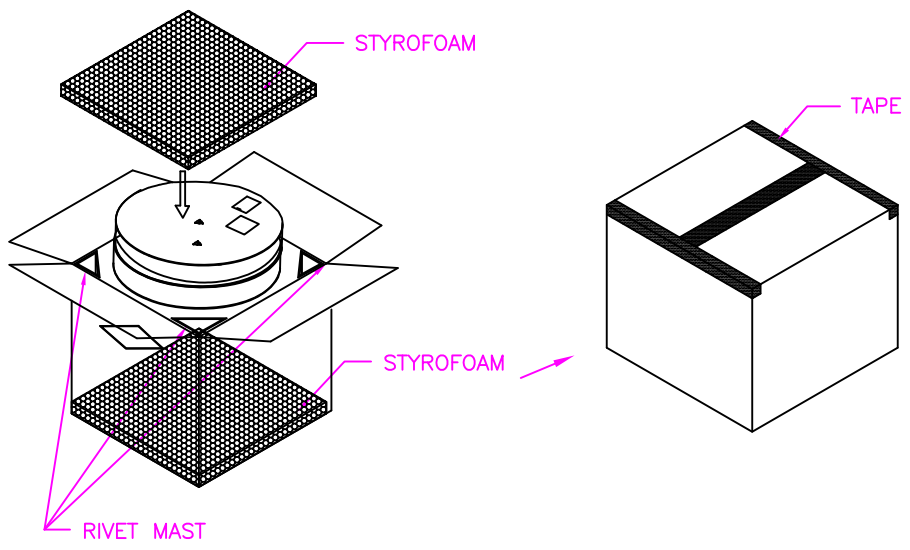
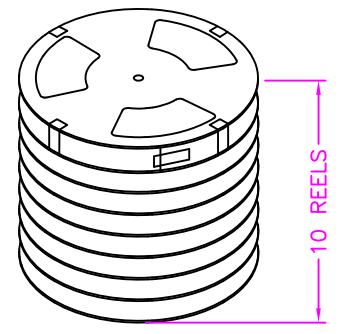
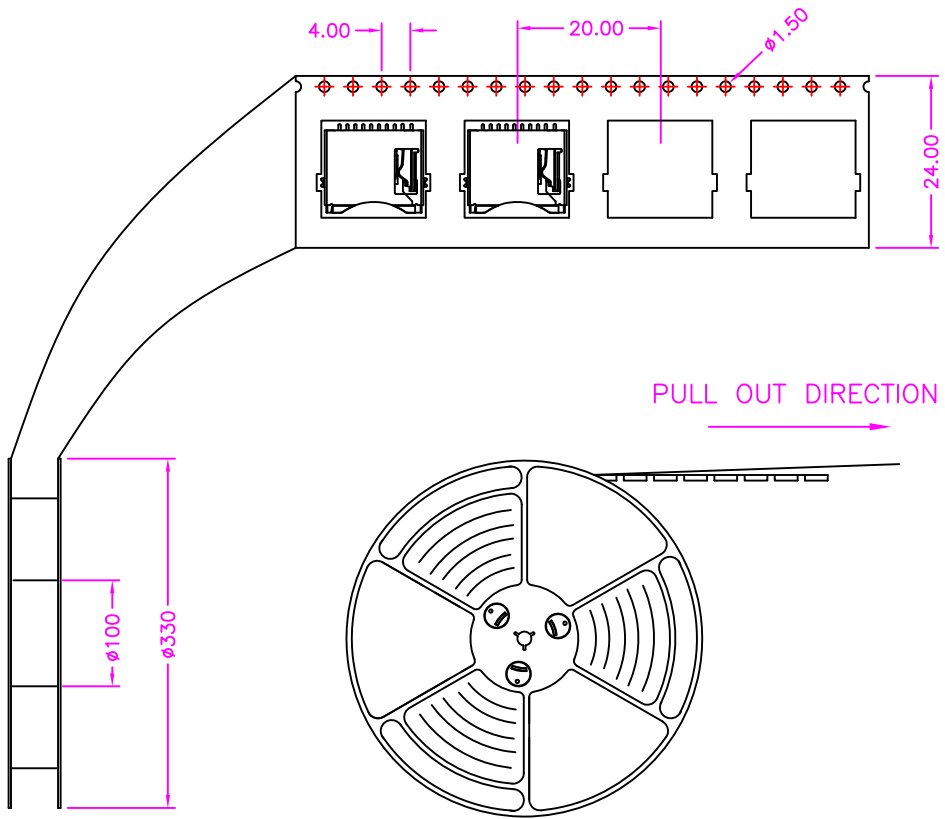
X.±0.40	.XX±0.20
.X±0.30	.XXX±0.10



DRAWN BY Frank 2019/6/17

APPROVED BY Lion 2019/6/17

TITLE	MICRO SD, PCB MOUNT, SMT, METAL SHIELD, PUSH-PULL TYPE H=1.85mm, FEMALE			
DRAW NO.	MMCKB-005	UNIT	MM	Sheet 1/2



NOTE: 1000PCS/ REEL, 10000PCS/ 10 REEL/ CARTON



TOLERANCES	
X.±0.40	.XX±0.20
.X±0.30	.XXX±0.10

REV.	A	DRAWN BY	Frank 2019/6/17
		APPROVED BY	Lion 2019/6/17

TITLE	MICRO SD, PCB MOUNT, SMT, METAL SHIELD, PUSH-PULL TYPE H=1.85mm, FEMALE
DRAW NO.	MMCKB-005

UNIT	MM	Sheet	2/2
------	----	-------	-----