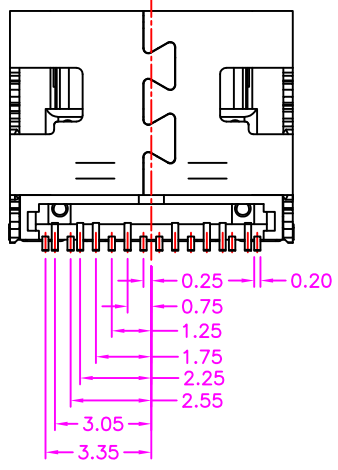
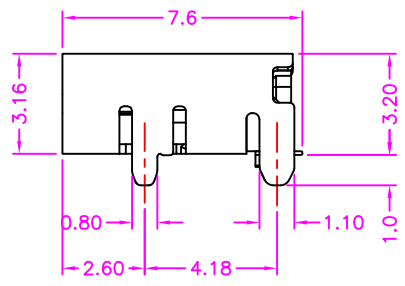
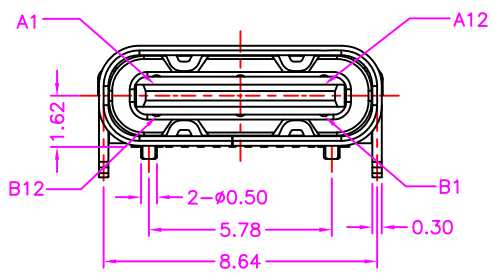


MATERIALS

HOUSING: HI-TEMP. PLASTIC (UL 94V-0), BLACK
 SHELL: STAINLESS STEEL, NICKEL PLATING
 TERMINAL: COPPER ALLOY, GOLD PLATED

SPECIFICATION

CURRENT RATING:
 1.5A/PIN MAX (A4,A9,B4,B9)
 1.25A/PIN MAX (A1,A12,B1,B12)
 0.25A FOR ALL THE OTHERS CONTACTS
 DIELECTRIC WITHSTANDING: 300V AC FOR ONE MINUTE
 CONTACT RESISTANCE: 40m OHMS MAX
 INSULATION RESISTANCE: 100M OHMS MIN AT DC 300V
 OPERATION TEMPERATURE: -40°C~+85°C
 DURABILITY: 10000 CYCLES

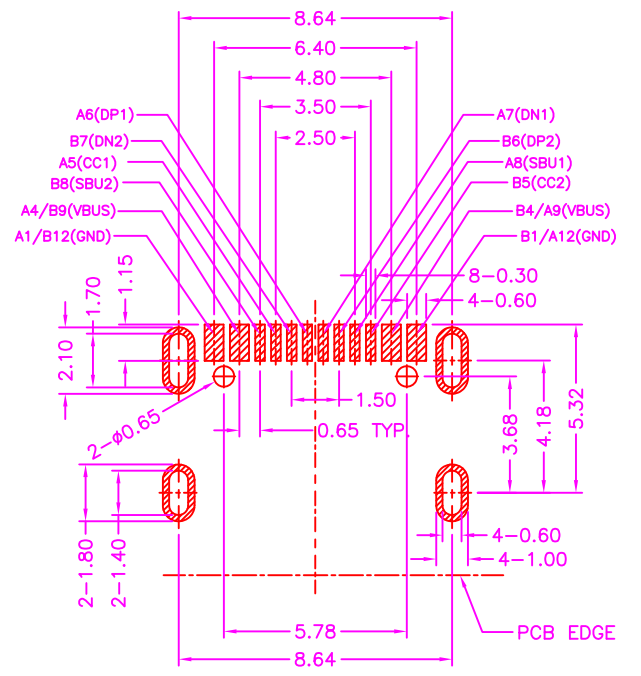
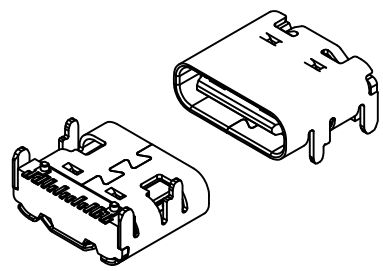


PART NUMBER:
BUSJB - 1 6 * - 1 2 5

SERIES — NO. OF POS. — TAPE REEL PACKAGE

CONTACT PLATED OPTION

- 1: 1u" GOLD
- 3: 3u" GOLD
- 5: 5u" GOLD
- 6: 10u" GOLD
- 7: 15u" GOLD
- 9: 30u" GOLD



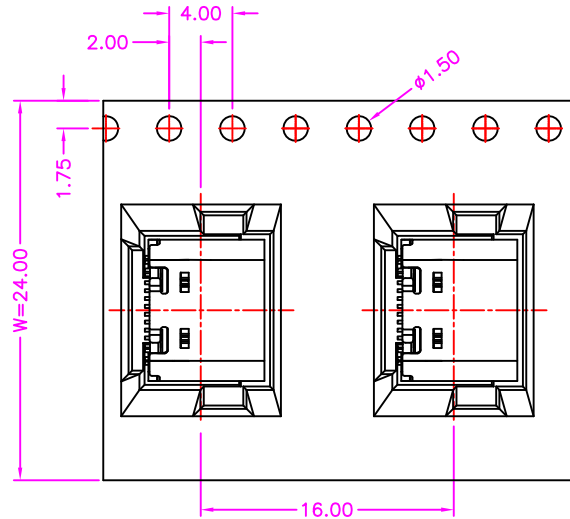
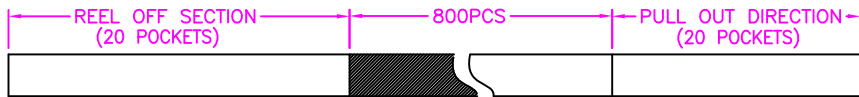
**P.C.B LAYOUT
 TOP VIEW ±0.05**



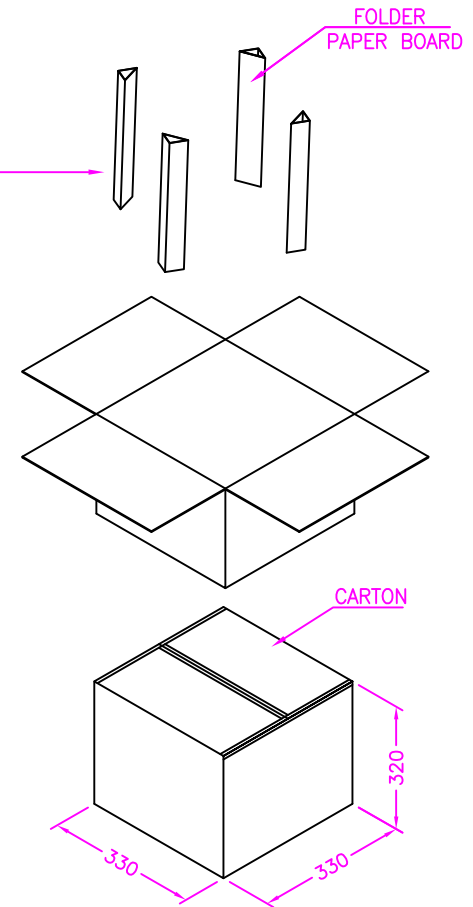
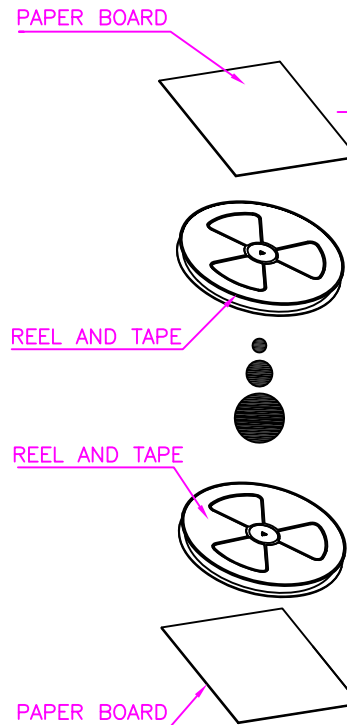
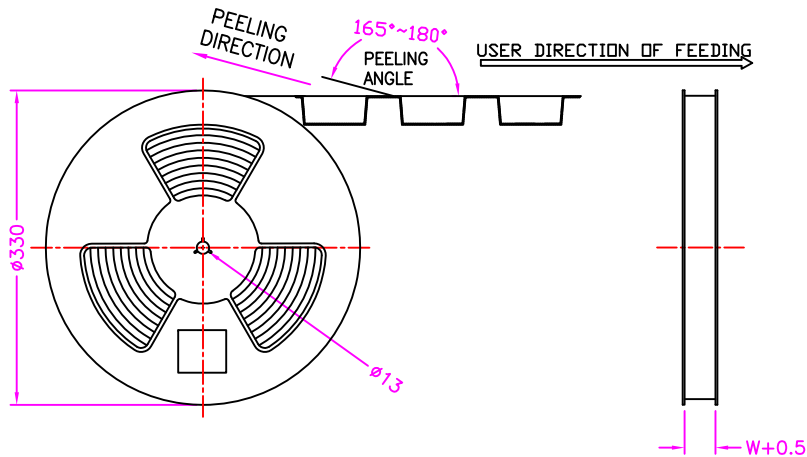
TOLERANCES

X.±0.40	.XX±0.20
.X±0.30	.XXX±0.10

REV.	A	DRAWN BY	Zhong 2019/3/10	TITLE	USB C TYPE, PCB MOUNT, SMT, METAL SHIELD, 16PIN, FEMALE				
		APPROVED BY	Lion 2019/3/10	DRAW NO.	BUSJB-005	UNIT	MM	Sheet	1/2



← PRODUCT PACKAGING DIRECTION
 CUSTOMER TO USE DIRECTION →



NOTE: 800PCS/ REEL, 8000PCS/ 10 REELS/ CARTON