

P.C.B LAYOUT  
TOP VIEW ±0.05

MATERIALS

HOUSING: HI-TEMP. PLASTIC (UL 94V-0), BLACK  
SHELL: COPPER ALLOY, GOLD PLATING  
TERMINAL: COPPER ALLOY, GOLD PLATED

PART NUMBER:

RRSCA - 0 \* \* - 1 2 2

SERIES

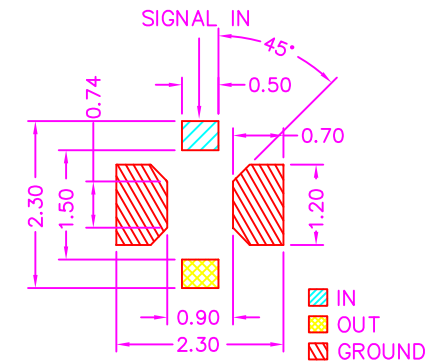
TAPE REEL PACKAGE

SHELL PLATED OPTION

TERMINAL PLATED OPTION

- 1: GOLD FLASH
- 2: 2u" GOLD
- 3: 3u" GOLD
- 5: 5u" GOLD
- 7: 15u" GOLD
- 9: 30u" GOLD

- 1: GOLD FLASH
- 2: 2u" GOLD
- 3: 3u" GOLD
- 5: 5u" GOLD
- 7: 15u" GOLD
- 9: 30u" GOLD



RECOMMEND STENCIL MASK PATTERN  
(MASK THICKNESS 0.10~0.12mm)

B	MODIFY DRAWING	2019.9.23
A	RELEASE	2018.4.20
REV.	DESCRIPTION	DATE



TOLERANCES
X.±0.40 .XX±0.20
.X±0.30 .XXX±0.10

REV.	B	DRAWN BY	Zhong 2018/4/20	TITLE
		APPROVED BY	Lion 2018/4/20	DRAW NO.

RF SWITCH (MICROWAVE SWITCH COAXIAL) MODEL 3, SMT				
RRSCA-002	UNIT	MM	Sheet	1/2

