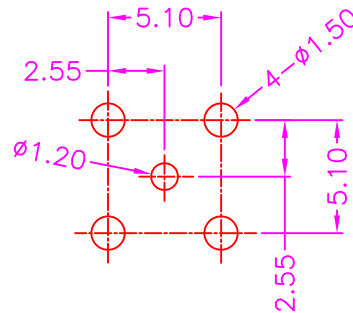
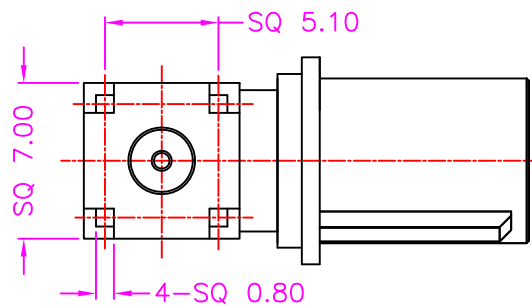


MATERIALS

HOUSING: COPPER ALLOY, NICKEL PLATING
 INSULATOR : TEFLON (UL 94V-0)
 BARREL : PA66 (UL 94V-0)
 CENTER CONTACT: COPPER ALLOY, GOLD PLATED



P.C.B LAYOUT
 TOP VIEW ±0.05

PART NUMBER:

RFKBE - * 5 1 1 - 2 1 1

SERIES — TYPE OPTION (A~Z) REF. TABLE — GOLD PLATING ON TERMINAL — TRAY PACKAGE — 50 OHM

TABLE

A		Black 9005 Radio without phantom supply	Violet 4003 GPS for telematics and navigation		H
B		Cream white 9001 Radio phantom supply	Beige 1001 Remote control parking heating		I
C		Blue 5005 GPS	Curry 1027 Radio with IF		K
D		Bordeaux 4004 GSM cellular phone	Carmine red 3002 Not defined		L
E		Green 6002 TV1 / SDARS	Pastel orange 2003 Not defined		M
F		Brown 8011 TV2 / SDARS	Pastel green 6019 Not defined		N
G		Grey 7031 Remote control keyless entry	Water blue 5021 Neutral coding		Z