

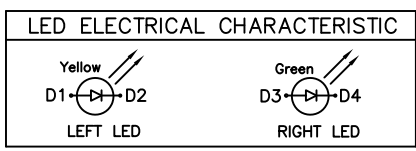
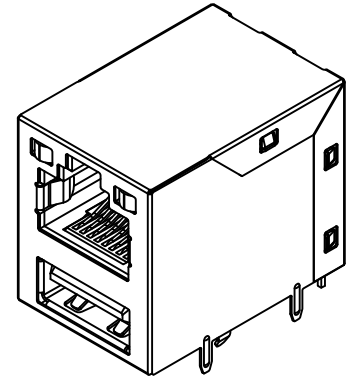
MATERIALS

HOUSING: HI-TEMP. PLASTIC (UL 94V-0), BLACK
 SHELL: COPPER ALLOY, NICKEL PLATING
 TERMINAL: COPPER ALLOY, GOLD PLATED ON CONTACT AREA
 TIN PLATED ON SOLDER TAIL

SPECIFICATION

USB
 CURRENT RATING: 1 AMP MAX
 DIELECTRIC WITHSTANDING: 500V AC FOR ONE MINUTE
 CONTACT RESISTANCE: 50m OHMS MAX
 INSULATION RESISTANCE: 1000M OHMS MIN AT DC 500V
 OPERATION TEMPERATURE: -40°C~+85°C

RJ45
 CURRENT RATING: 1.5 AMP MAX
 DIELECTRIC WITHSTANDING: 500V AC FOR ONE MINUTE
 CONTACT RESISTANCE: 50m OHMS MAX
 INSULATION RESISTANCE: 1000M OHMS MIN AT DC 500V
 OPERATION TEMPERATURE: -40°C~+85°C



PART NUMBER:
 SCMJUS - 2 1 * T - 7 1 1

SERIES — NO. OF POS. — TIN PLATING ON SOLDER TAIL — TRAY PACKAGE

- CONTACT PLATED OPTION
- 1: GOLD FLASH
 - 3: 3u" GOLD
 - 5: 5u" GOLD
 - 7: 15u" GOLD
 - 9: 30u" GOLD
 - 11: 6u" GOLD



TOLERANCES	
X.±0.40	.XX±0.20
.X±0.30	.XXX±0.10

REV.	A	DRAWN BY	Zhong 2018/10/23	TITLE	STACKED RJ45 + USB 3.0, PCB MOUNT, R/A, METAL SHIELD WITH LED				
		APPROVED BY	Lion 2018/10/23	DRAW NO.	SCMJUS-001	UNIT	MM	Sheet	1/1