

P.C.B LAYOUT  
TOP VIEW ±0.05

**MATERIALS**

HOUSING: PA46 (UL 94V-0), BLACK  
 SHELL: STAINLESS  
 TERMINAL: COPPER ALLOY, GOLD PLATED ON CONTACT AREA  
 TIN PLATING ON SOLDER TAIL

**SPECIFICATION**

USB  
 CURRENT RATING: 1 AMP MAX  
 DIELECTRIC WITHSTANDING: 500V AC FOR ONE MINUTE  
 CONTACT RESISTANCE: 30m OHMS MAX  
 INSULATION RESISTANCE: 1000M OHMS MIN AT DC 500V  
 OPERATION TEMPERATURE: -40°C~+85°C

**RJ45**

CURRENT RATING: 1.5 AMP MAX  
 DIELECTRIC WITHSTANDING: 500V AC FOR ONE MINUTE  
 CONTACT RESISTANCE: 30m OHMS MAX  
 INSULATION RESISTANCE: 500M OHMS MIN AT DC 500V  
 OPERATION TEMPERATURE: -40°C~+85°C

PART NUMBER:

SCMJUS - 2 2 \* T - 9 1 T 1

SERIES

NO. OF POS.

CONTACT PLATED OPTION

TRAY PACKAGE

TIN PLATING ON SOLDER TAIL

- 1: GOLD FLASH
- 3: 3u" GOLD
- 5: 5u" GOLD
- 6: 10u" GOLD
- 7: 15u" GOLD
- 9: 30u" GOLD
- 11: 6u" GOLD

NOTE:  
 RJ45 CAVITY CONFIRMS TO FCC RULES  
 AND REGULATIONS PART 68, SUBPART F.

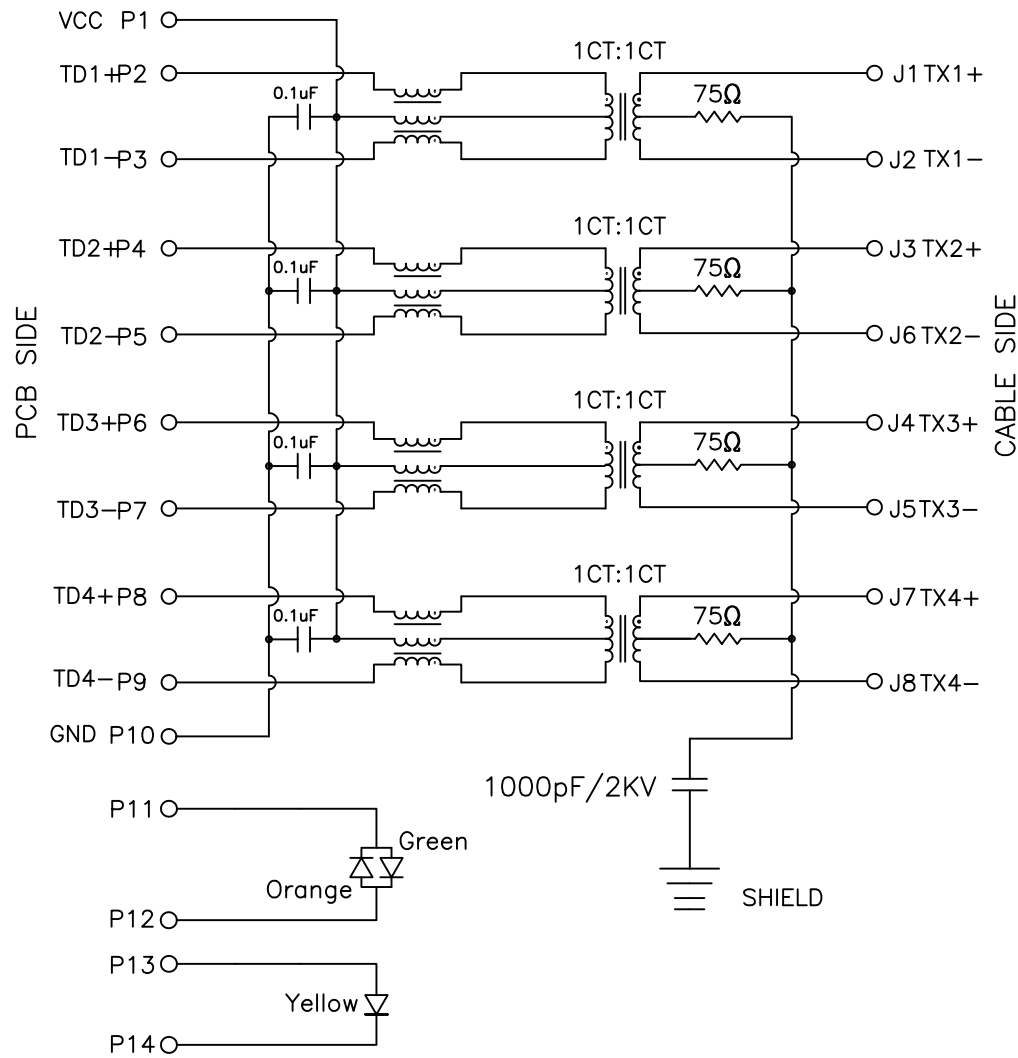


TOLERANCES	
X.±0.40	.XX±0.20
.X±0.30	.XXX±0.10

REV.	A	DRAWN BY	Zhong 2019/1/17	TITLE
		APPROVED BY	Lion 2019/1/17	DRAW NO.

STACKED RJ45 + DUAL USB 2.0 FEMALE, PCB MOUNT, R/A METAL SHIELD, WITH LED & TRANSFORMER, GIGABIT				
SCMJUS-101	UNIT	MM	Sheet	1/2

# Schematic



PARAMETER	SPECIFICATIONS
OPERATING TEMPERATURE	0°C To +70°C
TURNS RATIO	1:1±2%
INDUCTANCE(OCL)	350uH MIN@100KHz/100mV With 8mA DC Bias
INSERTION LOSS	-1.0dB MAX@0.3MHz-100MHz;
RETURN LOSS (Z <sub>out</sub> =100 OHM)	-18dB MIN@1MHz-30MHz; -13dB MIN@30MHz-60MHz; -10dB MIN@60MHz-100MHz;
CROSSTALK (ADJACENT CHANNELS)	-30dB MIN@1MHz-100MHz;
COMMON MODE REJECTION RATIO	-30dB MIN@1MHz-100MHz;
HI-POT	2250 VDC@60 SECONDS

LED SPECIFICATION			
STANDARD LED	WAVELENGTH	Forward V(max)	TYP
GREEN	565nm	2.4V	2.2V
YELLOW	590nm	2.5V	2.1V
ORANGE	600nm	2.5V	2.1V

\*WITH A FORWARD CURRENT OF 20mA