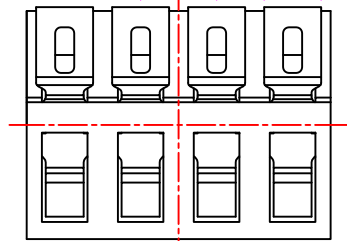
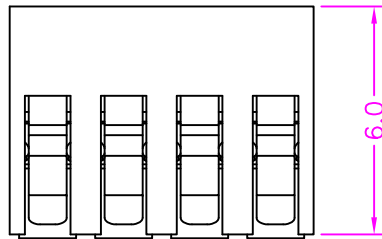
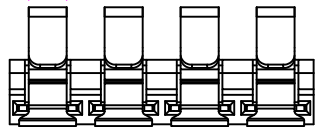


2.00 TYP. 1.50

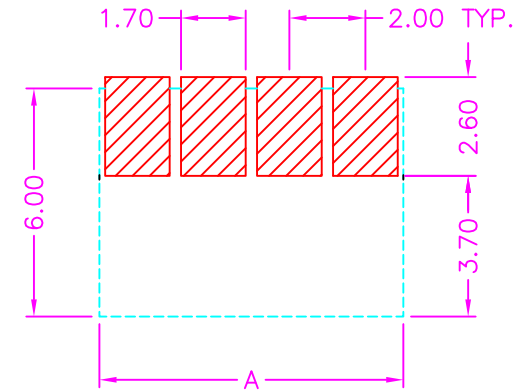
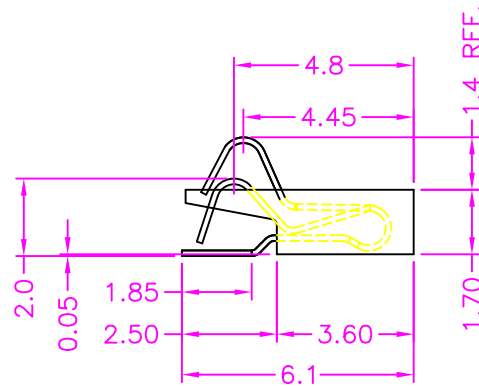
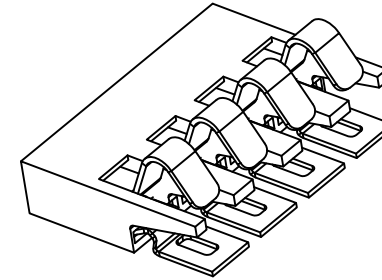


A±0.30

1.00



6.0



P.C.B LAYOUT  
TOP VIEW ±0.05

**MATERIALS**

HOUSING: HI-TEMP. PLASTIC (UL 94V-0), BLACK  
TERMINAL: COPPER ALLOY, GOLD PLATED

**SPECIFICATION**

CURRENT RATING: 2 AMP MAX  
DIELECTRIC WITHSTANDING: 500V AC FOR ONE MINUTE  
CONTACT RESISTANCE: 30m OHMS MAX  
INSULATION RESISTANCE: 500M OHMS MIN AT DC 500V  
OPERATION TEMPERATURE: -40°C~+85°C

TABLE

Pin No	DIM A
02	4.0
03	6.0
04	8.0
05	10.0
06	12.0
07	14.0
08	16.0

PART NUMBER:

ABTJG - \* \* \* - 1 2 2

SERIES ————— TAPE REEL PACKAGE

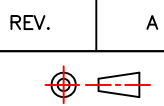
NO. OF POS.  
REF. TABLE

CONTACT PLATED OPTION

- 1. GOLD FLASH
- 3. 3u" GOLD
- 5. 5u" GOLD
- 6. 10u" GOLD
- 7. 15u" GOLD
- 9. 30u" GOLD



TOLERANCES  
X.±0.40 .XX±0.20  
.X±0.30 .XXX±0.10



REV. A DRAWN BY Zhong 2020/2/14  
APPROVED BY Lion 2020/2/14

TITLE BATTERY, 2.00mm PITCH, PCB MOUNT, VERTICAL SMT, FEMALE  
DRAW NO. ABTJG-002 UNIT MM Sheet 1/1