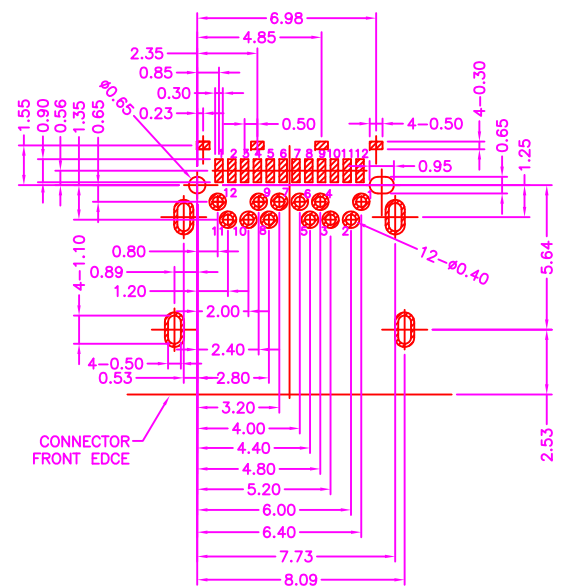
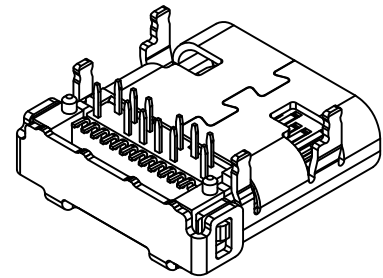
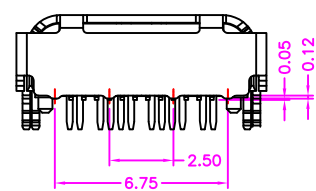
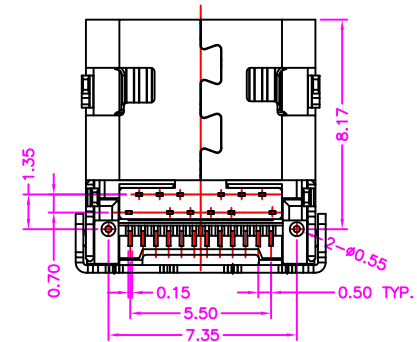
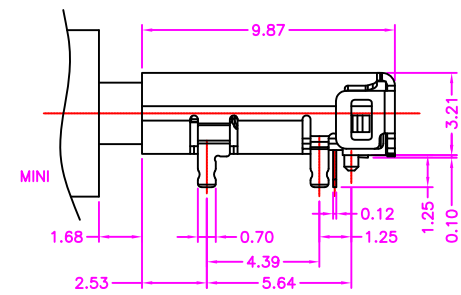
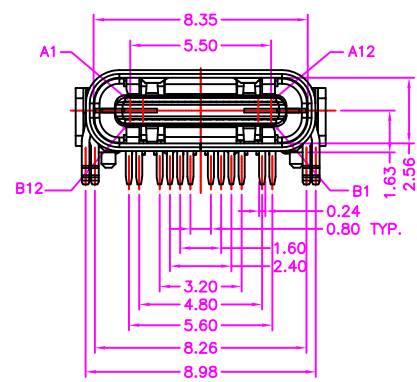


MATERIALS

HOUSING: HI-TEMP. PLASTIC (UL 94V-0)
 SHELL: SUS, NICKEL PLATING
 TERMINAL: COPPER ALLOY, GOLD PLATED



P.C.B. LAYOUT
TOP VIEW±0.05



A		B	
1	GND	12	GND
2	TX+	11	RX+
3	TX-	10	RX-
4	VBUS	9	PWR
5	CC	8	SBU2
6	D+	7	D-
7	D-	6	D+
8	SBU1	5	Vconn
9	VBUS	4	PWR
10	RX-	3	TX-
11	RX+	2	TX+
12	GND	1	GND

PART NUMBER:
BUSJB - 2 4 * - 1 * 1 *

SERIES — NO. OF POS. — COLOR OPTION
 BLANK: BLACK
 BL: BLUE

CONTACT PLATED OPTION — PACKAGE OPTION
 1: TRAY
 2: TAPE REEL

1: GOLD FLASH
 3: 3u" GOLD
 5: 5u" GOLD
 6: 10u" GOLD
 7: 15u" GOLD
 9: 30u" GOLD



TOLERANCES
 X.±0.40 .XX±0.20
 .X±0.30 .XXX±0.10

REV. A DRAWN BY Zhong 2017/7/30 TITLE
 APPROVED BY Lion 2017/7/30 DRAW NO.

USB C TYPE, PCB MOUNT, SMT, METAL SHIELD, FEMALE WITH POST
 BUSJB-001 UNIT MM Sheet 1/1