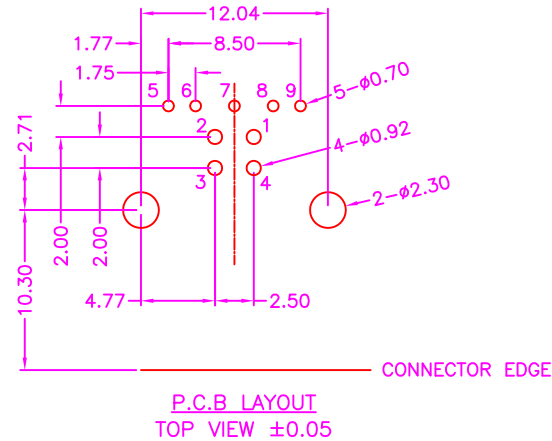
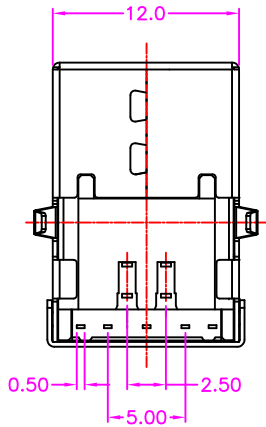
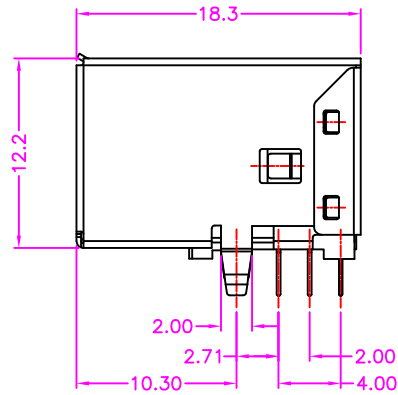
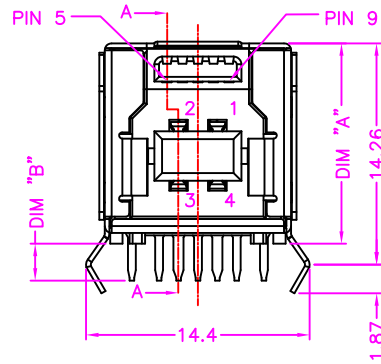


SECTION A-A



**MATERIALS**

HOUSING: LCP (UL 94V-0), BLUE  
 SHELL: COPPER ALLOY, NICKEL PLATING  
 TERMINAL: COPPER ALLOY, GOLD PLATED ON CONTACT AREA  
 TIN PLATING ON SOLDER TAIL

**SPECIFICATION**

CURRENT RATING: 1.5 AMP MAX  
 DIELECTRIC WITHSTANDING: 500V AC FOR ONE MINUTE  
 CONTACT RESISTANCE: 30m OHMS MAX  
 INSULATION RESISTANCE: 1000M OHMS MIN AT DC 500V  
 OPERATION TEMPERATURE: -40°C~+85°C

**PART NUMBER:**

BUSFC - 0 9 \* T - 1 1 1 \*

SERIES — NO. OF POS. — CONTACT PLATED OPTION — DIM "A" & "B" OPTION — TRAY PACKAGE — TIN PLATING ON SOLDER TAIL

DIM "A" & "B" OPTION  
 A: A:12.9mm B:2.20mm  
 B: A:12.6mm B:2.50mm  
 C: A:12.4mm B:2.70mm

- CONTACT PLATED OPTION
- 1: GOLD FLASH
  - 3: 3u" GOLD
  - 5: 5u" GOLD
  - 6: 10u" GOLD
  - 7: 15u" GOLD
  - 9: 30u" GOLD

PIN NUMBER	SIGNAL NAME
1	VBUS
2	D-
3	D+
4	GND
5	STDA_SSTX-
6	STDA_SSTX+
7	GND_DRAIN
8	STDA_SSRX-
9	STDA_SSRX+
SHELL	SHIELD