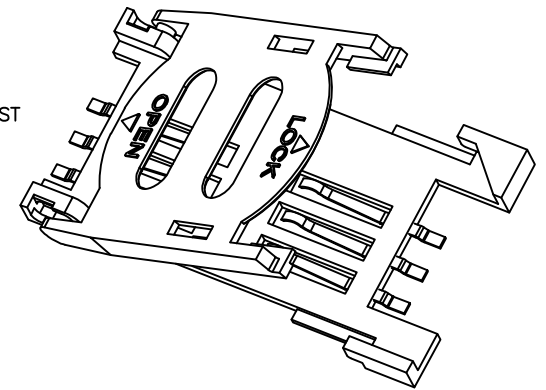


P.C.B LAYOUT
TOP VIEW ±0.05



MATERIALS

HOUSING: LCP (UL 94V-0), BLACK
 TERMINAL: COPPER ALLOY, GOLD PLATING ON CONTACT AREA
 TIN PLATING ON SOLDER TAIL

SPECIFICATION

CURRENT RATING: 0.5 AMP MAX
 DIELECTRIC WITHSTANDING: 500V AC FOR ONE MINUTE
 CONTACT RESISTANCE: 100m OHMS MAX
 INSULATION RESISTANCE: 1000M OHMS MIN AT DC 500V
 OPERATION TEMPERATURE: -40°C~+85°C

PART NUMBER:

MMCPF - 0 6 * T - 1 * 3 *

- SERIES
- NO. OF POS.
- CONTACT PLATED OPTION
- 1: GOLD FLASH
- 3: 3u" GOLD
- 5: 5u" GOLD
- 7: 15u" GOLD
- 9: 30u" GOLD
- TIN PLATING ON SOLDER TAIL
- POST OPTION
- BLANK: WITHOUT POST
- P: WITH POST
- PACKAGE OPTION
- 1: TRAY
- 2: TAPE REEL



TOLERANCES	
X.±0.40	.XX±0.20
.X±0.30	.XXX±0.10

REV.	A	DRAWN BY	Zhong 2019/12/15	TITLE	SIM CARD, PCB MOUNT, SMT, ALL PLASTIC, HINGE TYPE, 6 PIN, WITH POST FEMALE				
		APPROVED BY	Lion 2019/12/15	DRAW NO.	MMCPF-003	UNIT	MM	Sheet	1/1