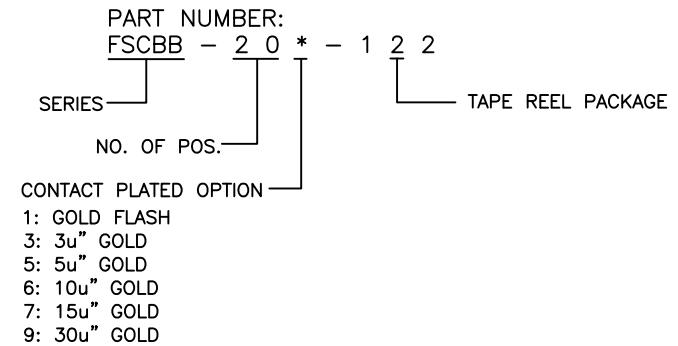


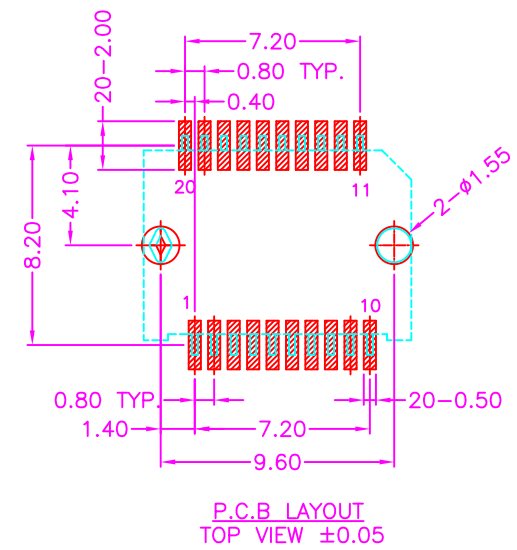
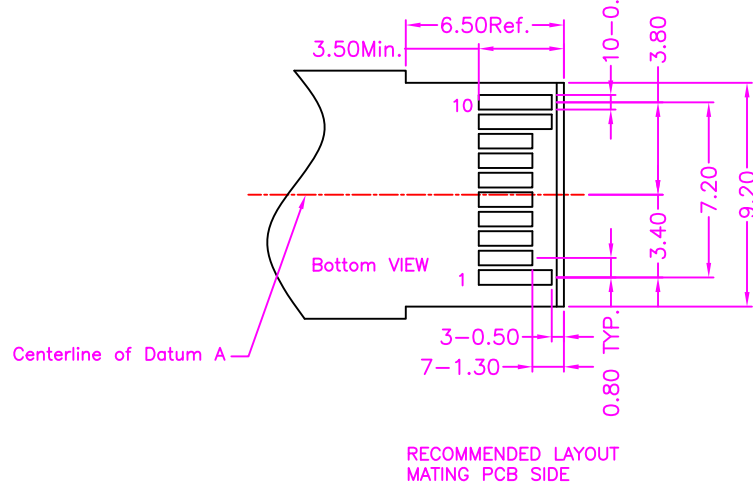
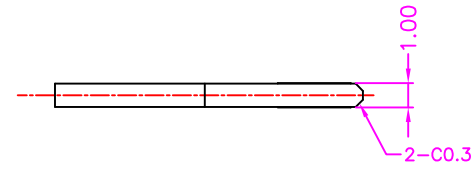
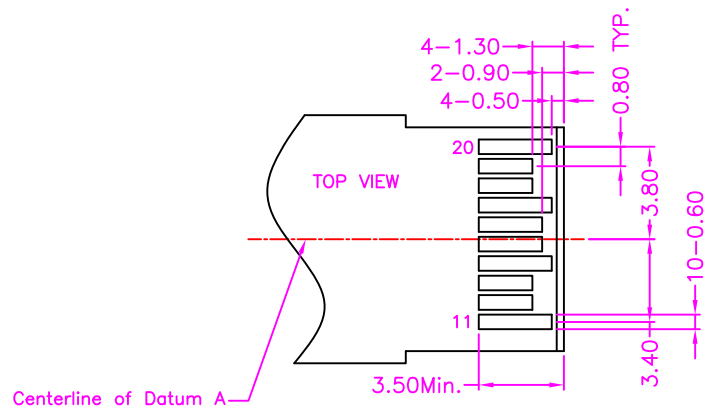
MATERIALS

HOUSING: HI-TEMP. PLASTIC (UL 94V-0), BLACK
 TERMINAL: COPPER ALLOY, GOLD PLATED

SPECIFICATION

CURRENT RATING: 1.0 AMP MAX
 DIELECTRIC WITHSTANDING: 300V AC FOR ONE MINUTE
 CONTACT RESISTANCE: 40m OHMS MAX
 INSULATION RESISTANCE: 1000M OHMS MIN AT DC 500V
 OPERATION TEMPERATURE: $-40^{\circ}\text{C}\sim+85^{\circ}\text{C}$





1

2

3

4

5

6

A

A

B

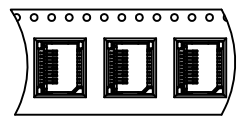
B

C

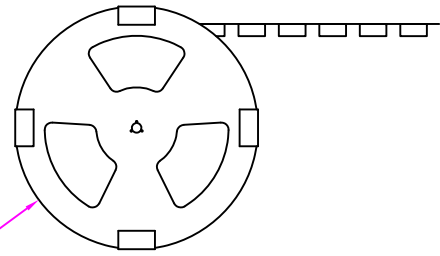
C

D

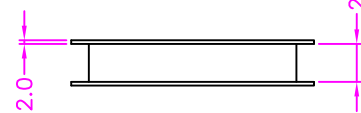
D



PULL OUT DIRECTION

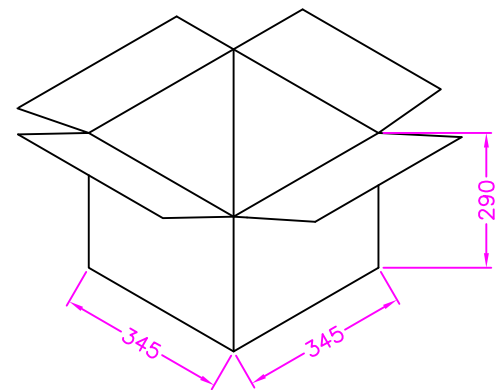
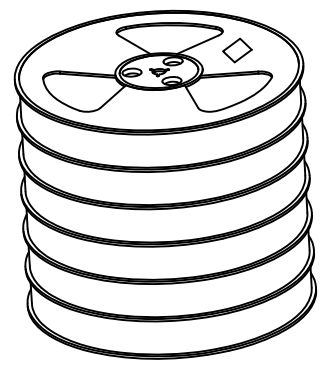


φ330



2.0

24.5



290

345

345

NOTE: 600PCS/ REEL, 6000PCS/ 10 REEL/ CARTON



TOLERANCES
 X.±0.40 .XX±0.20
 .X±0.30 .XXX±0.10

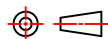
REV.

A

DRAWN BY Zhong 2017/11/17

TITLE

SFP+ CONNECTOR, PCB MOUNT, SMT, WITH POST



APPROVED BY Lion 2017/11/17

DRAW NO.

FSCBB-002

UNIT

MM

Sheet

3/3

1

2

3

4

5

6