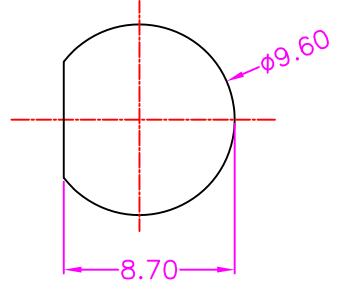
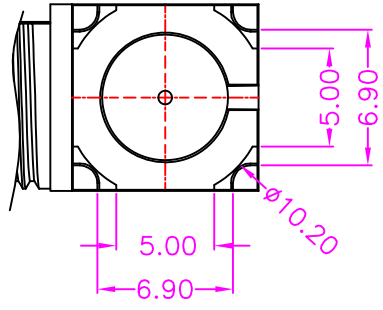


P.C.B. LAYOUT
TOP VIEW ± 0.05



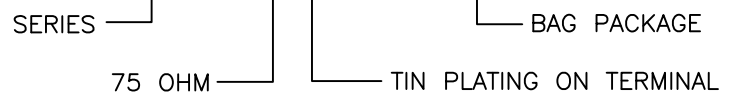
RECOMMEND MOUNTING HOLE

MATERIALS

INSULATOR: PP (UL 94V-0), WHITE
 BODY: ZINC, TIN PLATING
 TERMINAL: COPPER ALLOY, TIN PLATING

PART NUMBER:

RFTBE - 7 T 1 - 1 4 4



TOLERANCES	
X. ± 0.40	.XX ± 0.20
.X ± 0.30	.XXX ± 0.10

REV.	A	DRAWN BY	Zhong 2018/8/23	TITLE	F TYPE, PCB MOUNT, R/A, FEMALE, WITH POST, 75 OHM				
		APPROVED BY	Lion 2018/8/23	DRAW NO.	RFTBE-004	UNIT	MM	Sheet	1/1