

P.C.B. LAYOUT  
TOP VIEW ±0.05

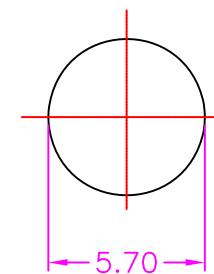
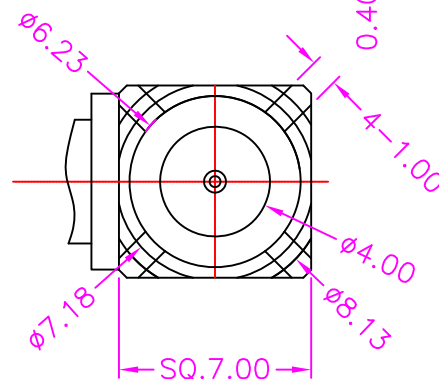
**MATERIALS**

HOUSING: COPPER ALLOY, GOLD PLATED  
 INSULATOR: TEFLON (UL 94V-0), WHITE  
 CENTER CONTACT: COPPER ALLOY, GOLD PLATED  
 NUT: COPPER ALLOY, GOLD PLATED

**PART NUMBER:**

R13BE - 7 1 1 - 1 \* 1

SERIES — 75 OHM — GOLD FLASH PLATING ON TERMINAL — PACKAGE OPTION  
 1: TRAY  
 2: TAPE REEL  
 4: BAG



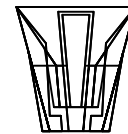
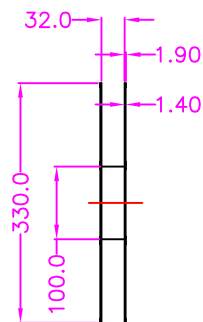
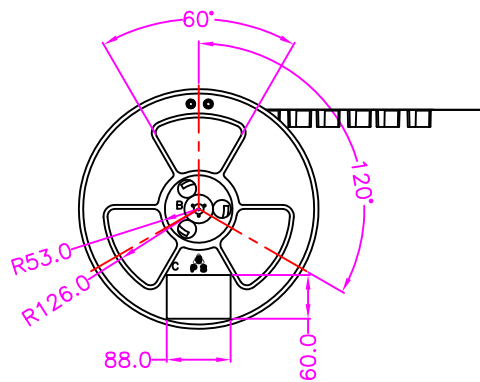
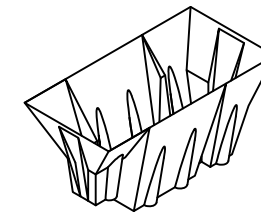
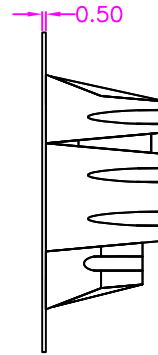
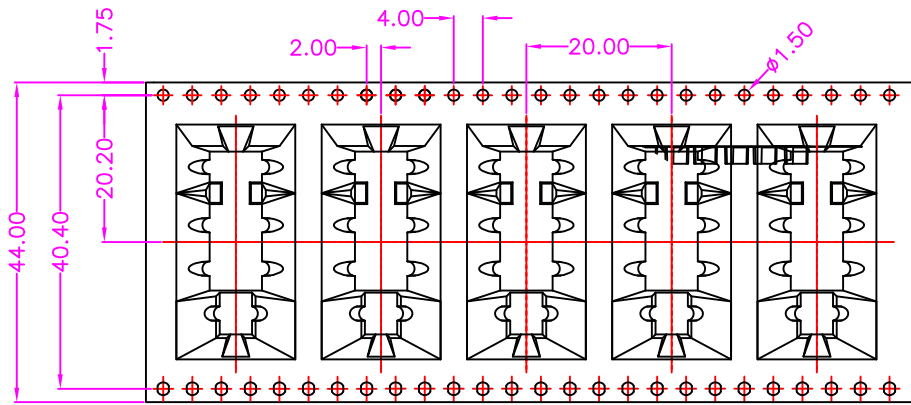
RECOMMENDED  
MOUNTING HOLE

B	DELETE NUT DRAW	2020.2.26
A	RELEASE	2019.11.7
REV.	DESCRIPTION	DATE



TOLERANCES	
X.±0.40	.XX±0.20
.X±0.30	.XXX±0.10

REV.	A	DRAWN BY	Zhong 2019/11/7	TITLE	DIN 1.0/2.3, 75 OHM, PCB MOUNT, R/A, WITH POST, FEMALE				
		APPROVED BY	Lion 2019/11/7	DRAW NO.	R13BE-001	UNIT	MM	Sheet	1/2



PACKAGE QUANTITY:  
200PCS/ REEL, 800PCS/ 4 REEL/ CARTON

PACKAGING WORKFLOW:  
WHEN PACKING, USE A WATERPROOF BAG  
AS WELL AS DRY BAG AND SEAL IT WITH A SEALER

