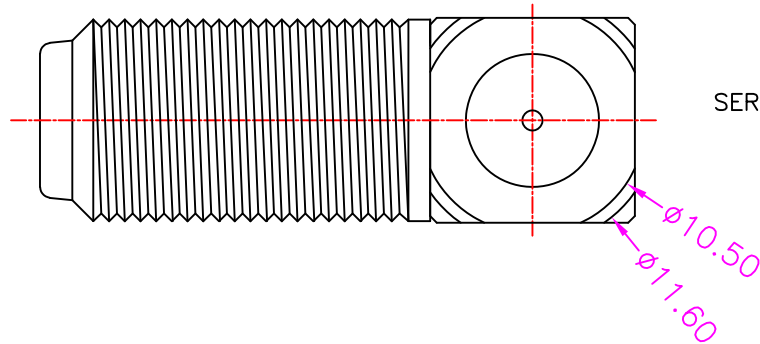


P.C.B LAYOUT  
TOP VIEW ±0.05



**MATERIALS**

INSULATOR: NYLON 66 (UL 94V-0), WHITE  
 BODY: COPPER ALLOY, NICKEL PLATING  
 TERMINAL: COPPER ALLOY, TIN PLATING

**SPECIFICATION**

FREQUENCY RANGE: DC-1 GHz  
 VSWR: 1.30 MAX.  
 OPERATION TEMPERATURE: -40°C~+105°C

**PART NUMBER:**

RFTBE - 7 T 1 - 1 \* 7

SERIES

75 OHM

PACKAGE OPTION

1: TRAY  
 4: BAG

TIN PLATING ON TERMINAL