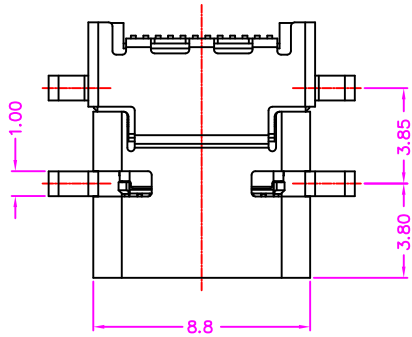


A



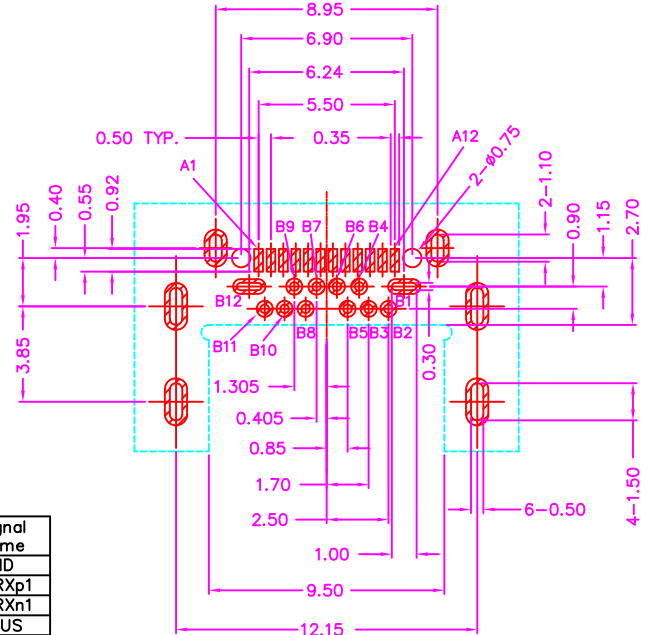
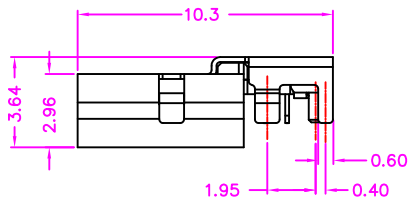
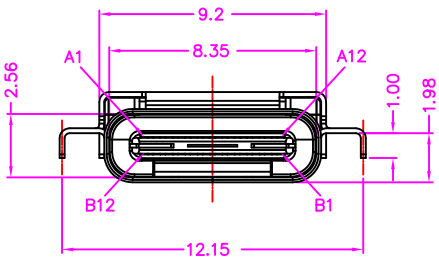
MATERIALS

HOUSING: HI-TEMP. PLASTIC (UL 94V-0)
 SHELL: STAINLESS STEEL, NICKEL PLATING
 TERMINAL: COPPER ALLOY, GOLD PLATED ON CONTACT AREA
 TIN PLATING ON SOLDER TAIL

SPECIFICATION

5.0A FOR VBUS (A4,A9,B4,B9)
 1.25A FOR VCONN (B5)
 1.25A FOR GND (A1,A12,B1,B12)
 0.25A FOR ALL THE OTHERS CONTACTS
 DIELECTRIC WITHSTANDING: 100V AC FOR ONE MINUTE
 CONTACT RESISTANCE:
 40m OHMS MAX INITIAL
 50m OHMS MAX AFTER ENVIRONMENTAL TEST
 INSULATION RESISTANCE: 100M OHMS MIN AT DC 300V
 OPERATION TEMPERATURE: -40°C~+85°C

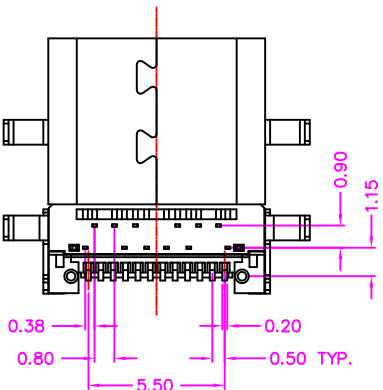
B



P.C.B. LAYOUT
TOP VIEW ±0.05

| Signal Name | B12 | Signal Name |
|-------------|------------|-------------|
| A1 GND | B12 GND | |
| A2 SSTXp1 | B11 SSRXp1 | |
| A3 SSTXn1 | B10 SSRXn1 | |
| A4 VBUS | B9 VBUS | |
| A5 CC1 | B8 SBU2 | |
| A6 Dp1 | B7 Dn2 | |
| A7 Dn1 | B6 Dp2 | |
| A8 SBU1 | B5 CC2 | |
| A9 VBUS | B4 VBUS | |
| A10 SSRXn2 | B3 SSTXn2 | |
| A11 SSRXp2 | B2 SSTXp2 | |
| A12 GND | B1 GND | |

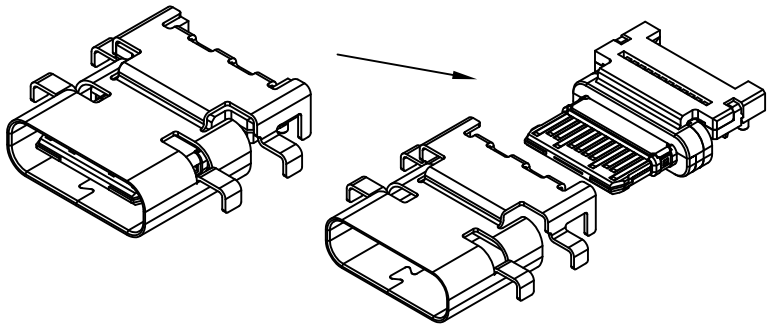
C



PART NUMBER:
 BUSJD - 2 4 * T - 1 2 C

SERIES — NO. OF POS. — TIN PLATING ON SOLDER TAIL — TAPE REEL PACKAGE

CONTACT PLATED OPTION
 1: 1u" GOLD
 3: 3u" GOLD
 5: 5u" GOLD
 6: 10u" GOLD
 7: 15u" GOLD
 9: 30u" GOLD



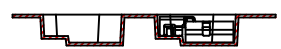
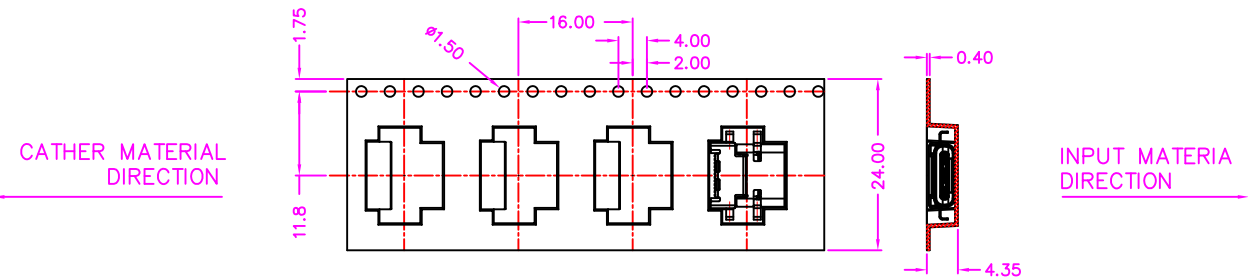
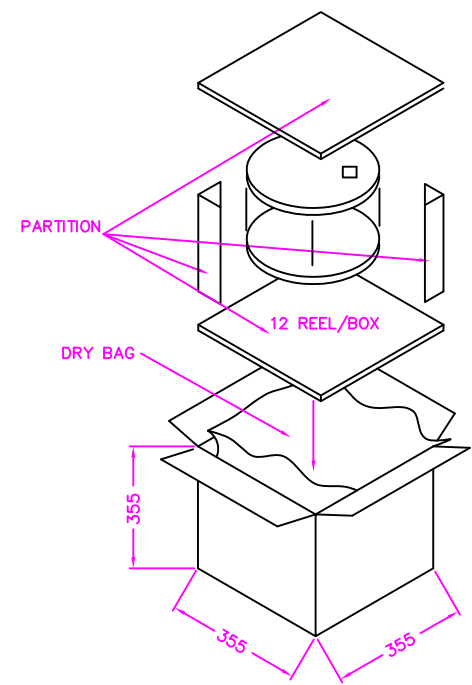
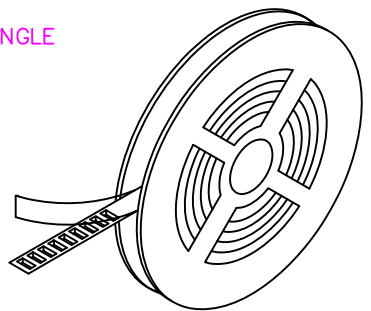
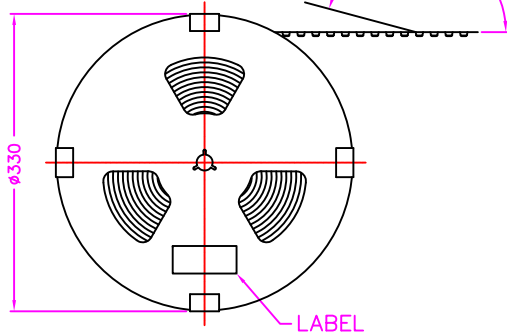
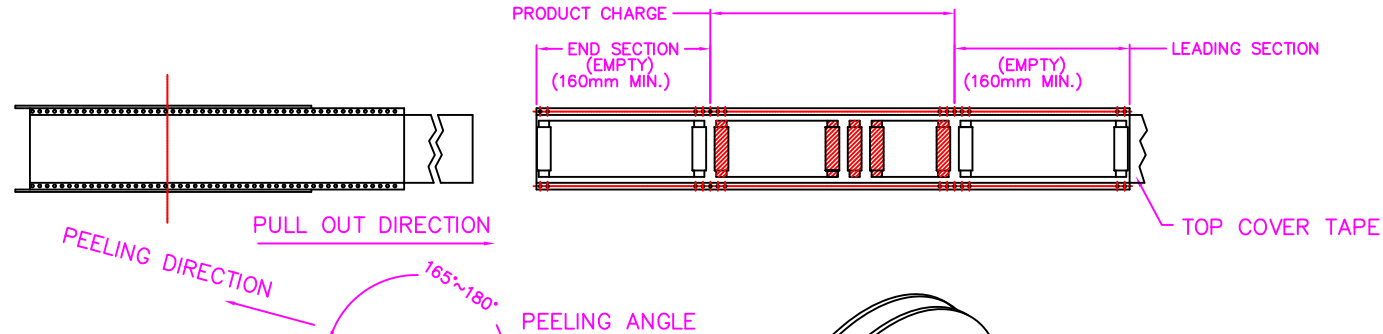
D



TOLERANCES

| | |
|---------|-----------|
| X.±0.40 | .XX±0.20 |
| .X±0.30 | .XXX±0.10 |

| | | | | | | | | | |
|------|---|-------------|-----------------|----------|---|------|----|-------|-----|
| REV. | A | DRAWN BY | Zhong 2020/12/1 | TITLE | USB C TYPE, PCB MOUNT, MID MOUNT TYPE, SMT, METAL SHIELD, 24PIN, FEMALE | | | | |
| | | APPROVED BY | Lion 2020/12/1 | DRAW NO. | BUSJD-012 | UNIT | MM | Sheet | 1/2 |



NOTE: 1000PCS/REEL, 12REEL/CARTON, 12000PCS/CARTON

| | | | | | | | | | | | |
|----------------------------------|---|------|---|-------------|-----------------|----------|---|------|----|-------|-----|
| WWW.ZICONN.COM 886-3-4687695 | TOLERANCES X.±0.40 .XX±0.20 .X±0.30 .XXX±0.10 | REV. | A | DRAWN BY | Zhong 2020/12/1 | TITLE | USB C TYPE, PCB MOUNT, MID MOUNT TYPE, SMT, METAL SHIELD, 24PIN, FEMALE | | | | |
| | | | | APPROVED BY | Lion 2020/12/1 | DRAW NO. | BUSJD-012 | UNIT | MM | Sheet | 2/2 |