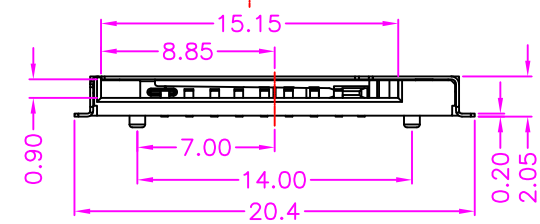
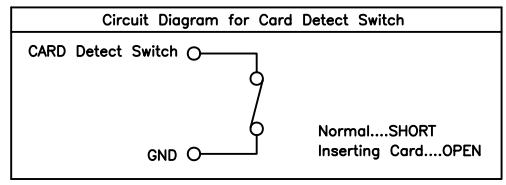


PAD AREA
 KEEP AREA
 KEEP OUT AREA



Connector terminal NO.	Pin NO.
Pin 1	VCC:PWR signal and GND
Pin 2	RST:Reset signal
Pin 3	CLK:Clocking signal
Pin 4	Reserved
Pin 5	GND:PWR signal and GND
Pin 6	VPP:Programing Voltage
Pin 7	I/O:Serial date input/output
Pin 8	Reserved
Pin 9	CD:CARD Detect Switch
Pin 10	GND

PART NUMBER: MMCPD - 0 9 * T - 1 2 6
 SERIES NO. OF POS. TIN PLATING ON SOLDER TAIL TAPE REEL PACKAGE
 CONTACT PLATED OPTION
 1: GOLD FLASH
 3: 3u" GOLD
 5: 5u" GOLD
 6: 10u" GOLD
 9: 30u" GOLD



MATERIALS

HOUSING: HI-TEMP. PLASTIC (UL 94V-0)
 SHELL: COPPER ALLOY, NICKEL PLATING
 TERMINAL: COPPER ALLOY, GOLD PLATED

SPECIFICATION

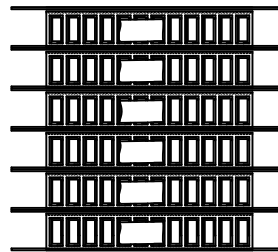
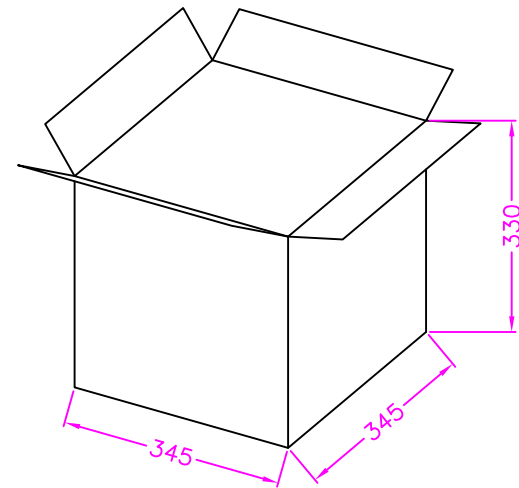
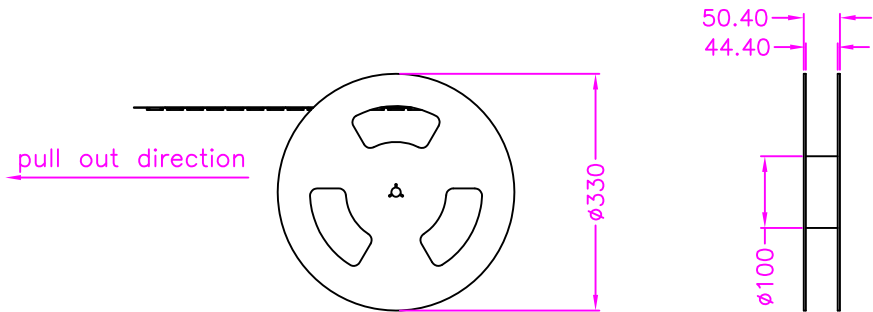
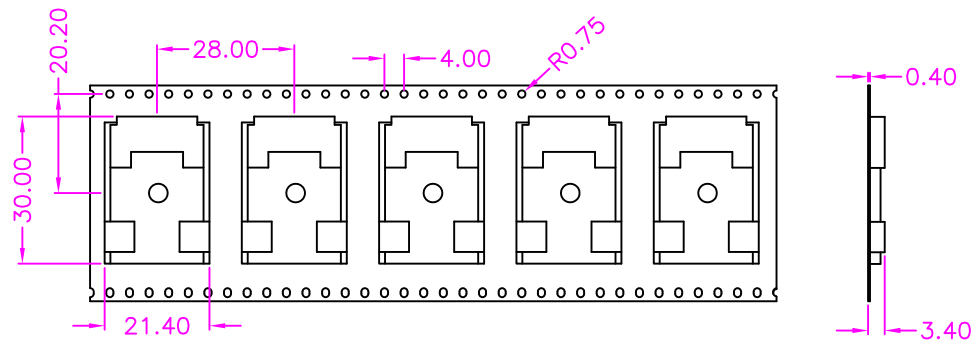
CURRENT RATING: 0.5 AMP MAX
 DIELECTRIC WITHSTANDING: 500V AC FOR ONE MINUTE
 CONTACT RESISTANCE: 100m OHMS MAX
 INSULATION RESISTANCE: 1000M OHMS MIN AT DC 500V
 OPERATION TEMPERATURE: -40°C~+85°C



TOLERANCES

X.±0.40	.XX±0.20
.X±0.30	.XXX±0.10

REV.	A	DRAWN BY	Zhong 2020/3/12	TITLE	SIM CARD, 8PIN, PCB MOUNT, SMT, METAL SHIELD, PUSH-PUSH TYPE, FEMALE				
		APPROVED BY	Lion 2020/3/12	DRAW NO.	MMCPD-006	UNIT	MM	Sheet	1/2



NOTE: 500PCS/ REEL, 3000PCS/ 6 REEL/ CARTON